

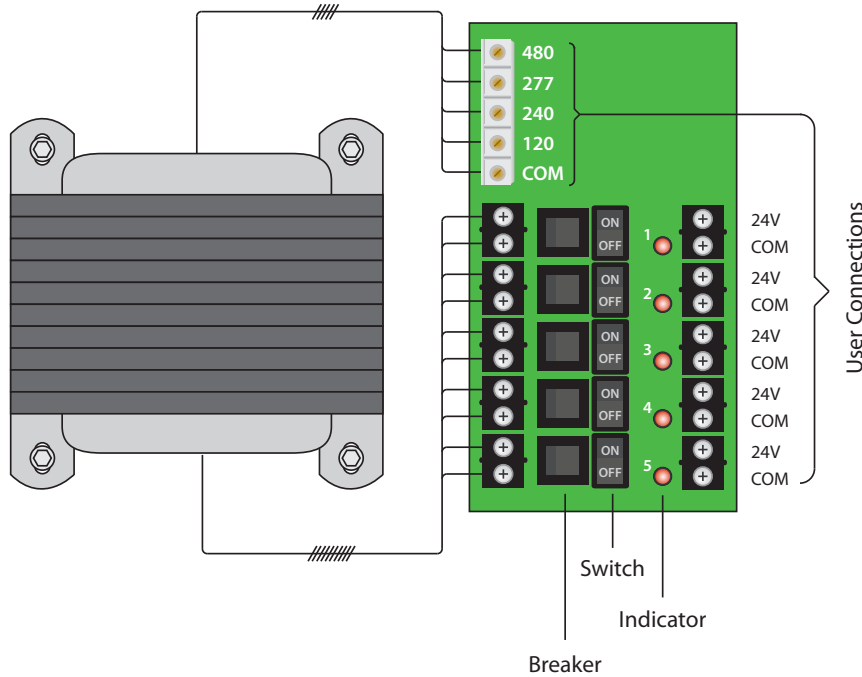
**AC POWER SUPPLY**

**PSH500A**

Enclosed 500VA Power Supply with Five 100VA Class 2 Outputs, 480/277/240/120 Vac to 24 Vac

**PSMN500A**

Open Style 500VA Power Supply with Five 100VA Class 2 Outputs, 480/277/240/120 Vac to 24 Vac



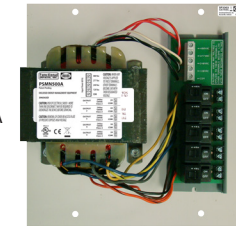
PSH500A Shown With Cover



PSH500A Shown Without Cover



PSMN500A



POWER SUPPLIES

**SPECIFICATIONS**

**Transformer:** One (1) 500 VA  
**Over Current Protection:** Circuit Breaker

**Primary:** 480/277/240/120 Vac  
**Frequency:** 50/60 Hz

**Dimensions:** 12.125" x 12.125" x 6.000" (PSH500A)  
11.330" x 11.400" x 5.000" (PSMN500A)

**Approvals:** Class 2 (UL Approved UL5085-3),  
UL916, UL508, C-UL, CE, RoHS, Special  
▲ Seismic Certification of Equipment and Components: OSP-0201-10

**Sub-Panel:** Plenum Rated Polymetal  
Sub-Panel (PSMN500A)

**Housing:** NEMA1 Metal Enclosure (PSH500A)  
**Weight:** 30.16 lbs. (PSH500A)  
20.60 lbs. (PSMN500A)

**5 Secondaries:**  
24 Vac, with LED Indicators  
4 Amp breaker for each output

**24 Vac ON/OFF:**  
On / Off Switch & Breaker

**Input:**  
480/277/240/120 Vac Finger-Safe Terminals, 8-18 AWG

**Output:**  
5 Ungrounded, Isolated, 100 VA, Class 2, 24 Vac  
Outputs. Terminals accept 12-26 AWG wire.

**Ambient Temperature Derating:**  
4A up to 40° C ; 3A up to 50° C ; 2A up to 55° C  
(When All 5 Outputs Operated Simultaneously)

- Notes:**
- To order UL508, add "-IC" to end of model number.
  - Open style (PSMN500A) is mounted to sub-panel SP3303 for shipping. Sub-panel may be removed to suit application.
  - Primary voltage terminal cover available. See model APS53-TC on page 141.
  - Design is in accordance with ASCE 7-05 Chapter 13: ▲  
[www.oshpd.ca.gov/FDD/Pre-Approval/OSP-0201-10.pdf](http://www.oshpd.ca.gov/FDD/Pre-Approval/OSP-0201-10.pdf)

**Standby Wattage:**  
48.515 W @ 120 Vac  
48.699 W @ 240 Vac  
49.564 W @ 277 Vac  
48.255 W @ 480 Vac

**Full Load Primary Current:**  
4.66 A @ 120 Vac  
2.41 A @ 240 Vac  
2.06 A @ 277 Vac  
1.17 A @ 480 Vac

**Secondary Output Voltage vs. Load:**  
24.0 V @ 1 Amp  
23.0 V @ 2 Amp  
21.8 V @ 3 Amp  
21.1 V @ 4 Amp

- With 240 Vac primary input voltage
- When all 5 outputs operated simultaneously, at room temperature

**GREAT FOR VAV APPLICATIONS**