

# DIFFERENTIAL PRESSURE SWITCH GFS Series



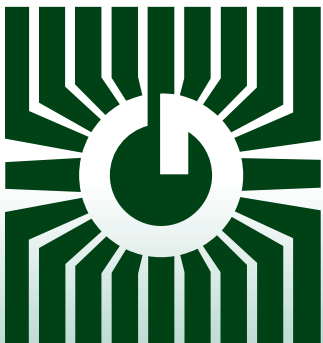
## Precision pressure control/sensing

### FEATURES:

- The housing contains a diaphragm, a snap-acting SPDT switch, range adjustment knob with increments
- The sample connections located on the side accept 6.35mm (0.25") OD tubing
- An enclosure cover guards against accidental contact with the live switch terminal screws and the set point adjusting knob with indication.
- Optional pressure ranges available.
- Includes 2 pick up tubes and 2 M (6.56') of PVC tubing

*Peace of mind  
through reliable  
pressure switches*

# GREYSTONE ENERGY SYSTEMS INC



**SPECIFICATIONS:**

Adjustment Range.....See Product Ordering Information  
 Adjustment Knob Markings.....Scaled in Pascal and " WC  
 Switch Tolerance.....±15%  
 Maximum Operating Pressure...1.45 PSI (10 kPa) for all pressure ranges  
 Medium.....Air, non-combustible and non-aggressive gases  
 Temperature Range.....Medium and ambient temperature  
 -20°C to 60°C (-4°F to 140°F)  
 Storage temperature  
 -40°C to 85°C (-40°F to 185°F)  
 Diaphragm Material.....Silicone, tempered at 200°C, free of gas emissions  
 Pressure Connections.....2 plastic pipe connections pieces (P1 and P2), external diameter 6.0 mm  
 P1 for connection to higher pressure  
 P2 for connection to lower pressure

Electrical Rating.....Max. 1.0A (0.4A) / 250 VAC, 50/60 Hz  
 Max. 0.1 A / 24 VDC  
 Electrical Connections.....AMP flat plug 6.3 mm x 0.8 mm  
 Push-on screw terminals  
 Cable conduit with cable relief  
 Mechanical Working Life.....Over 10 million switching operations  
 Housing Materials.....Switch body made of PA 6.6  
 Cover made of PC  
 Protection Category.....IP54 with cover (NEMA 13)  
 Weight.....With cover 160 g  
 Included Accessories.....2 meters of PVC hose and 2 plastic tubes  
 Set of 3 push-on screw terminals  
 Approvals.....UL508 & CSA 22.2

**PRODUCT ORDERING INFORMATION**

MODEL	Description
GFS	Adjustable Airflow Switch with Setpoint Indication

CODE	Range
80	0.08" to 1.20" w.c. (20 to 300 Pa), Switch differential 0.04" w.c. (10 Pa)
83	0.2" to 2.00" w.c. (50 to 500 Pa), Switch differential 0.08" w.c. (20 Pa)
86	2.00" to 10.00" w.c. (500 to 2500 Pa), Switch differential 0.60" w.c. (150 Pa)

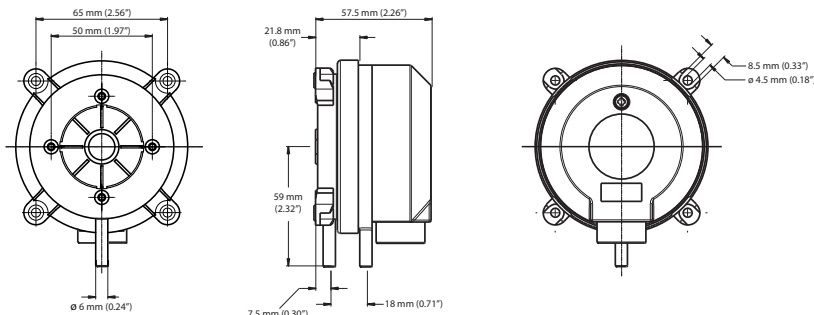
CODE	Electrical Connection
N-IK	1/2" NPT Connection
M-IK	M20 Connection

Greystone Energy Systems Inc. reserves the right to make design modifications without prior notice.

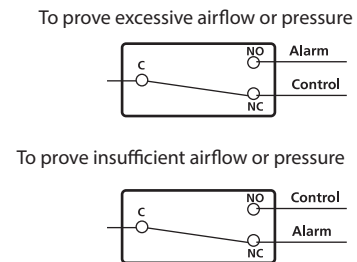
GFS	80	N-IK	← Typical Model Number
-----	----	------	------------------------

**Example: 0.08" to 1.2" w.c., 1/2" NPT Connection**

**Dimensions in millimeters and (inches)**



**Alarm or Control**



Greystone Energy Systems, Inc.  
 150 English Drive, Moncton,  
 New Brunswick, Canada E1E 4G7  
 (506) 853-3057 Fax: (506) 853-6014  
 North America: 1-800-561-5611  
 e-mail: mail@greystoneenergy.com  
 www.greystoneenergy.com



Greystone Energy Systems Inc. is one of North America's largest ISO registered manufacturers of HVAC/R sensors and transmitters for Building Automation Management Systems. We have conscientiously established a worldwide reputation as an industry leader by maintaining leading-edge design technology, prompt technical support, and a commitment to on-time deliveries. We take pride in our Quality Management System which is ISO 9001 certified, assuring our customers of consistent product reliability.

GREYSTONE HAS AN ISO 9001 REGISTERED QUALITY SYSTEM