

Space Temperature Sensor

CE

Model TE-708-B-MT

RoHS



- Attractive, off-white finish, made from rugged ABS plastic
- Push-button override
- Three options available:
 - Temp sensor with override switch
 - Two averaging temp sensors with override switch
 - Four averaging temp sensors with override switch
- Mounts on standard 2" x 4" junction box
- Rugged, two-piece construction, cover secured to sub base via Allen screws

TE-708-B-MT wall sensors provide reliable space temperature sensing for the IP *MaverickStat*® Appliance, web-enabled thermostat. The rugged enclosure is tamper-proof due to a unique mounting scheme and Allen screws that secure the cover to the sensor sub base. All TE-708-B-MT wall sensors are designed to mount on a standard 2" x 4" junction box. By depressing the momentary push-button located along the upper right side of the sensor, after-hours comfort control conditions can be requested by facility occupants.

**MAMAC SYSTEMS**®

8189 Century Boulevard • Minneapolis, MN 55317-8002 • USA
800-843-5116 • 952-556-4900 • Fax 952-556-4997
sales@mamacsys.com • www.mamacsys.com

Baird House, Units 6 & 7
Pensnett Estate • Kingswinford
West Midlands • DY6 7YA • United Kingdom
01384-271113 • Fax 01384-271114

4 Arminger Court, Unit 2
Holden Hill • S.A. 5088 • Australia
08-8395-4333 • Fax 08-8395-4433

155 McIntosh Drive, Units 5 & 6 • Markham
Ontario • L3R 0N6 • Canada
905-474-9215 • Fax 905-474-0876

No. 22 Lorong 21A Geylang #11-02
Prosper Industrial Building
Singapore • 388421
656-3927273 • Fax 656-3927276

TE-708-B-MT

SPECIFICATIONS:

Thermistor Sensors:

±0.4°F (0.2°C) interchangeability @ 77°F (25°C)

Operating and Storage Temperatures:

32°F to 158°F (0°C to 70°C)

Enclosure:

ABS plastic

Termination:

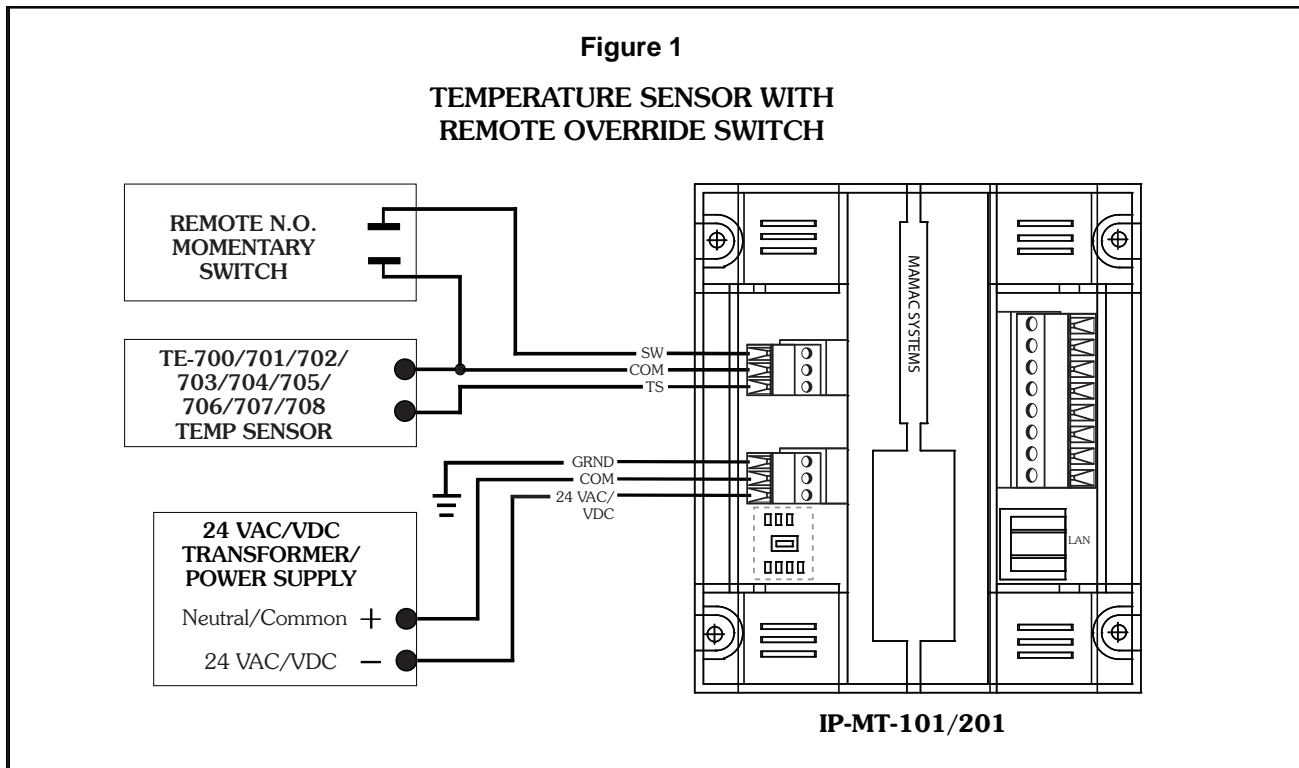
Terminal block

RoHS Compliant

EMC Testing: EN 50082-1:1992, EN 55014:1993, EN 60730-1:1992

ORDERING INFORMATION: **TE-708-B-**

MODEL	DESCRIPTION
MT	<i>MaverickStat</i> ® Temperature Sensor with Override Push Button
MT2	Two (2) <i>MaverickStat</i> ® Averaging Temperature Sensors with Override Push Button
MT4	Four (4) <i>MaverickStat</i> ® Averaging Temperature Sensors with Override Push Button



TE-708-B-MT

Figure 2

TEMPERATURE SENSOR AND OVERRIDE SWITCH

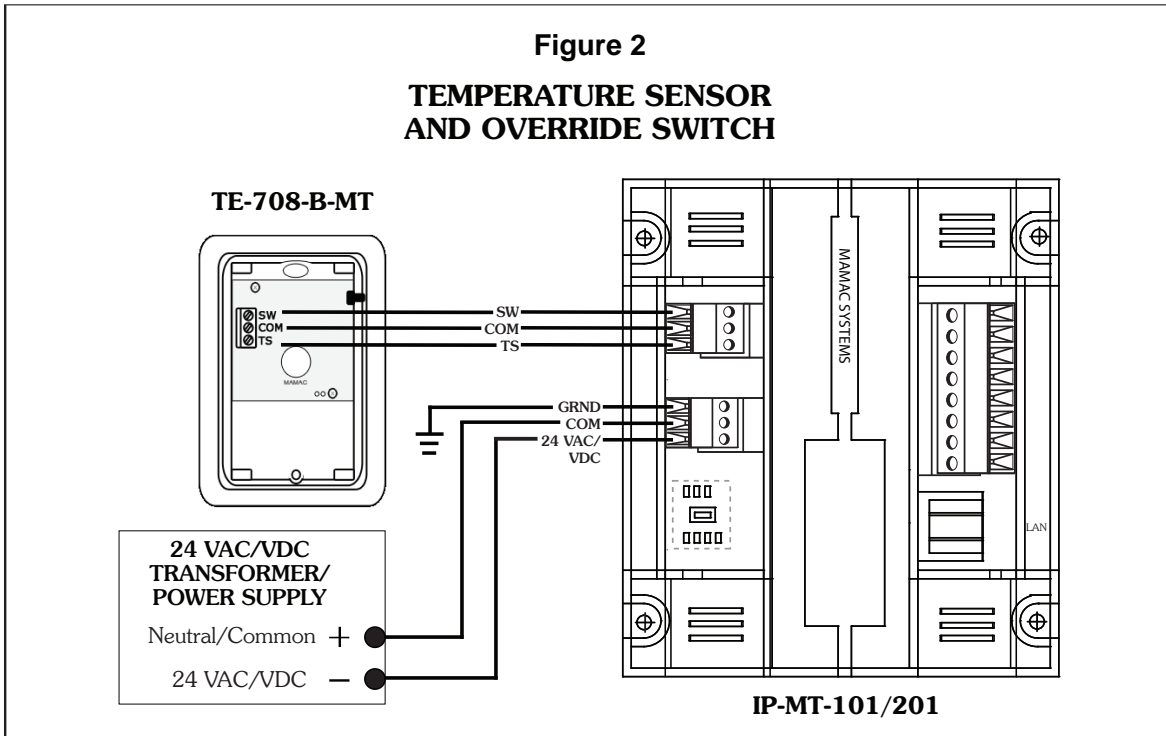
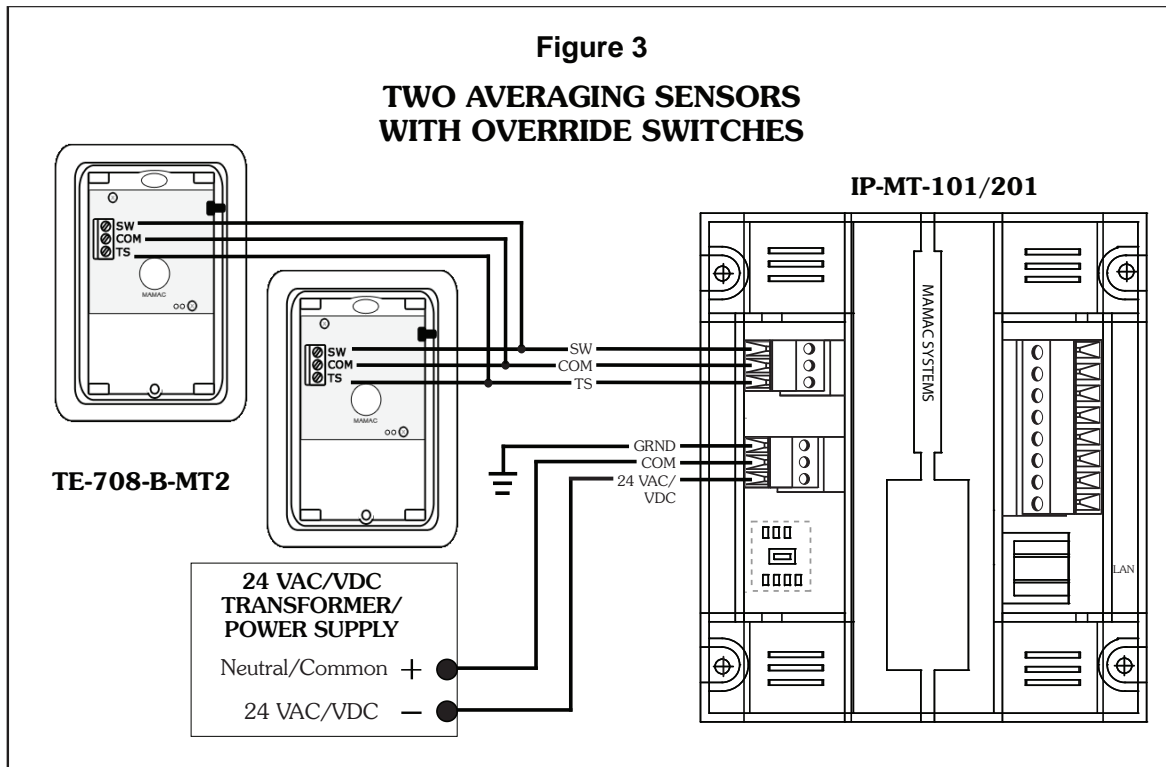


Figure 3

TWO AVERAGING SENSORS WITH OVERRIDE SWITCHES

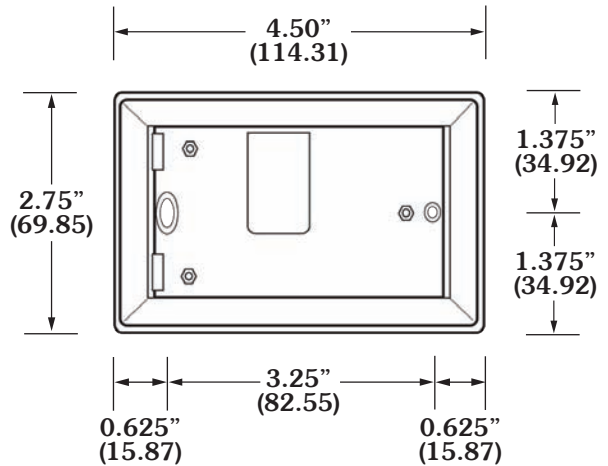
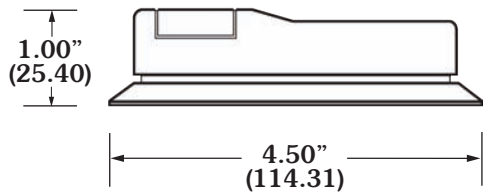
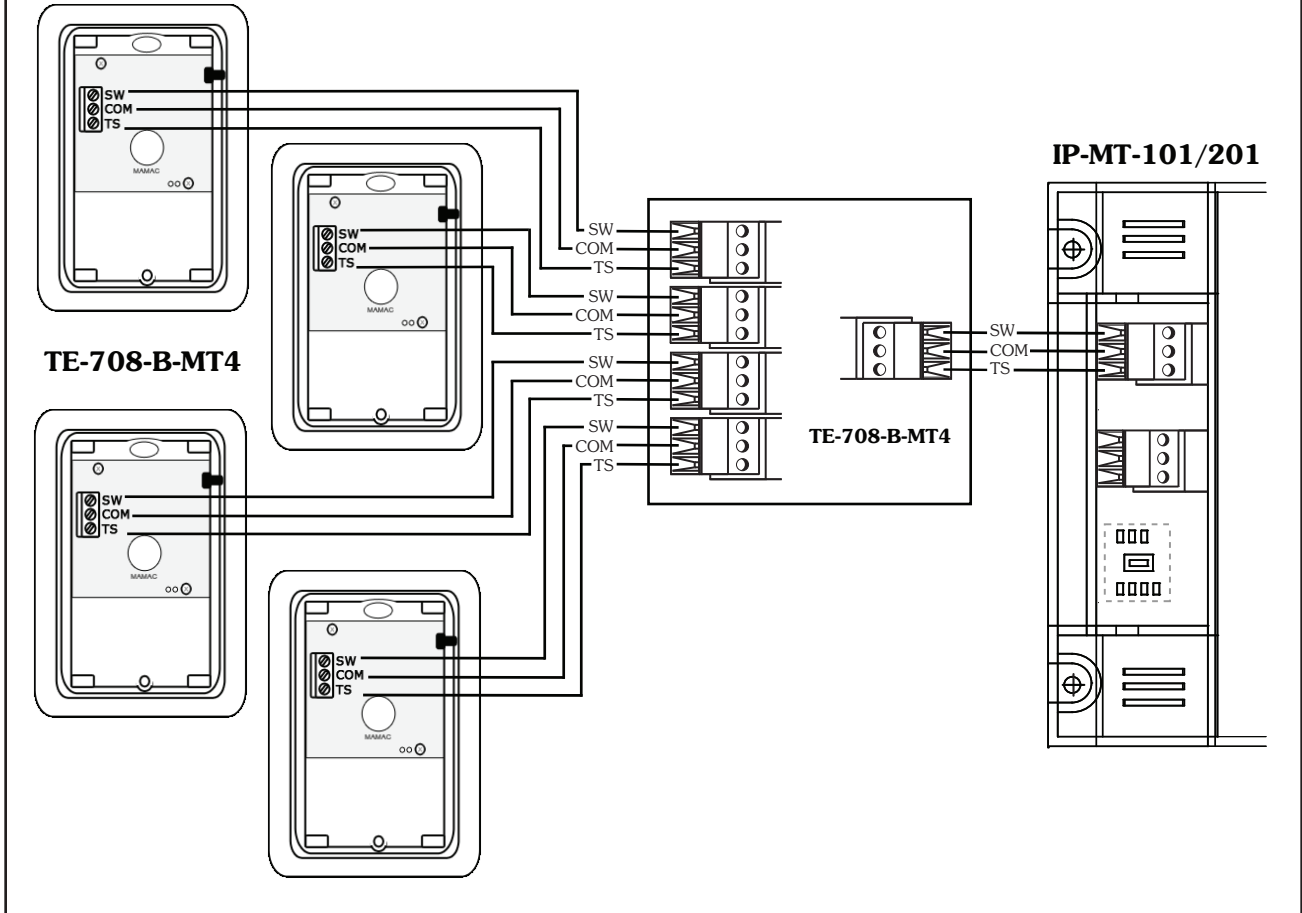


TE-708-B-MT

Figure 4

FOUR AVERAGING SENSORS WITH OVERRIDE SWITCHES

TE-708-B-MT4



(mm)