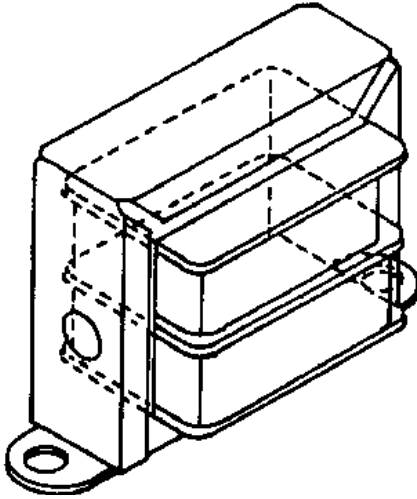


# Power Transformer

## Model TR-201



- Provide stable, clean and reliable 18-20VAC power for MAMAC transducers.
- Split bobbin design for good isolation.
- Available in more than seven different VA ratings to cover all power requirements.
- Low cost - light weight.

### DESCRIPTION:

TR-201 is designed to provide reliable and stable VAC power within specification for all MAMAC transducers. MAMAC is offering these transformers at a low cost to encourage single sourcing all components to further insure total system compatibility and trouble free start-up. TR-201 is available in various VA ratings to satisfy all possible load combinations.

### ORDERING INFORMATION: TR-201

#### INPUT

- 1) 115VAC 60Hz
- 2) 220VAC 50Hz
- 3) 100VAC 50Hz
- 4) Custom

#### VOLT/AMPS

- A) 3.0VA
- B) 10.0VA
- C) 20.0VA
- D) 40.0VA
- E) 80.0VA

### TERMINATION:

①	INPUT 115/220/100VAC
②	INPUT 115/220/100VAC
③	18 - 20 VAC
④	10 - 20 VAC



**MAMAC SYSTEMS**®  
MONITOR • DECISION • CONTROL