

Model 206

Industrial Pressure Transducer



BENEFITS

- Solid Stability for Confident Installations
- Exceptional EMI/RFI Performance Prevents False Shutdown
- NEMA-4/IP65 Certified for Use in Harsh Environments
- Rugged Design Withstands High Shock/Vibration Applications
- Versatile Package Design Provides JIT Delivery
- User Accessible Zero and Span Adjustment
- CE & RoHS Compliant

APPLICATIONS

- Industrial OEM Equipment
- Off-Road Equipment
- Hydraulic Systems
- Compressor Control
- HVAC/R Equipment
- Industrial Engines
- Industrial Refrigeration

DESCRIPTION

The Model 206 industrial pressure transducer is one of the most rugged and reliable sensors available. These transducers prove to be superior to competitive brands and technologies in application field testing.

The capacitive design exhibits resistance to environmental effects such as shock, vibration, temperature and EMI/RFI. The Model 206 also meets NEMA-4 and IP65 environmental protection ratings.

With a highly accurate stainless steel capacitive sensor design and custom ASIC based circuit, the Model 206 maintains a high level of performance and accommodates a variety of pressure fittings & electrical connector options.

SPECIFICATIONS

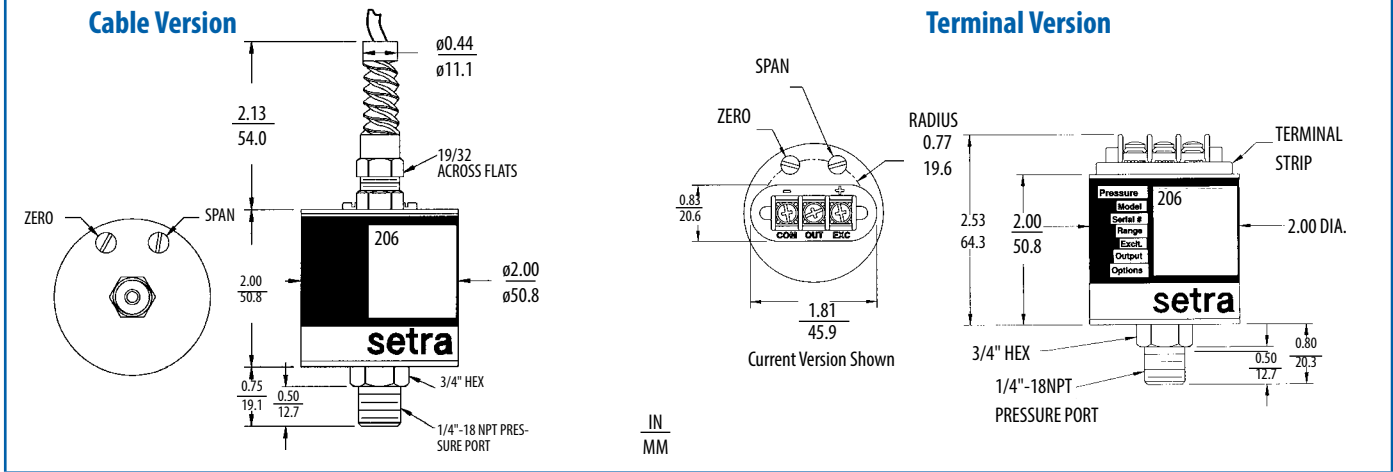
Performance Data		Physical Description		Electrical Data (Voltage)	
Accuracy RSS ¹ (at constant temperature)	±0.13% FS	Pressure Fittings	See Ordering Information	Excitation/Output	12 to 28 VDC Reverse Excitation Protected
Non-Linearity, (BFSL) 25 psig range ²	±0.1% FS ±0.2% FS	Vent	Through cable or terminal	Power Consumption	<0.15 watts (approx. 5mA @24VDC)
Hysteresis	0.08% FS	Electrical Connection	2 ft. multiconductor cable	Output ¹	0.1 to 5.1 VDC ²
Non-Repeatability	0.02% FS	Case	Stainless Steel	Output Impedance	100 ohms
Response Time	5 milliseconds	Zero/Span Adjustments	Top External Access	Circuit	3-Wire (Exc, Out, Com)
Long Term Stability	0.5% FS/1 YR	Weight (approx.)	6 oz		
Thermal Effects		Environmental Data		Electrical Data (Current)	
Compensated Range	-4 to +176°F (-20 to +80°C)	Temperature		Circuit	2-Wire
Zero Shift	1.0 (0.9)	Operating ¹	-40 to +185°F (-40 to +85°C)	Output ³	4 to 20 mA ⁴
Span Shift	1.5 (1.4)	Storage	-40 to +185°F (-40 to +85°C)	External Load	0 to 800 ohms
Pressure Media		Acceleration	10g Maximum ²	Min. Supply Voltage (VDC) = 9 + 0.02 x (Resistance of receiver plus line)	
Gases or liquids compatible with 17-4 PH Stainless Steel. ³		Shock ³	200g Operating	Max. Supply Voltage (VDC) = 30 + 0.004 x (Resistance of receiver plus line)	
1. RSS of Non-Linearity, Non-Repeatability and Hysteresis 2. 25 psig range accuracy is ±0.22% of Full Scale output 3. Hydrogen not recommended for use with 17-4 PH stainless steel.		Vibration ⁴	20g 50-2000 Hz	1. Calibrated into a 50K ohm load, operable into a 5000 ohm load or greater 2. Zero output factory set to w/in ±25mV. Span (FS) output factory set to w/in ±50mV. 3. Calibrated at factory with a 24VDC loop supply voltage and 250ohm load. 4. Zero output factory set to w/in ±0.08mA. Span (FS) output factory set to w/in ±0.16mA.	

Specifications subject to change without notice.

Model 206

Industrial Pressure Transducer

DRAWINGS & DIMENSIONS



BAR RANGES		
Gauge Pressure	Proof Pressure	Burst Pressure
1.6	6	32
4.0	10	50
6.0	18	60
10	30	80
16	32	130
25	50	170
40	80	240
60	120	300
100	200	400
160	250	500
250	380	550
400	600	800
700	800	1,350

PSIG RANGES		
Gauge Pressure	Proof Pressure	Burst Pressure
0-25	100	500
0-50	150	750
0-100	300	1,000
0-250	500	2,000
0-500	1,000	3,000
0-1,000	2,000	5,000
0-3,000	4,500	7,500
0-5,000	7,500	10,000
0-10,000	12,500	20,000

Note: Setra quality standards are based on ANSI-Z540-1. The calibration of this product is NIST traceable.

ORDERING INFORMATION

2 0 6 1 - [] [] [] [] - [] - [] [] - [] [] - [] [] - [] [] - [] []

Model	Pressure Range	Pressure Type	Fitting	Output	Termination	Accuracy	Options ²
2061 206	02SP 0 to 25 PSI 1R6B 0 to 1.6 Bar	G Gauge	2M 1/4" NPT Male	11 4 to 20 mA	XX Cable Length (02-25')	8 ±0.13% FS	NN None
	050P 0 to 50 PSI 004B 0 to 4 Bar	C Compound	1M 1/8" NPT Male	22 0.1 - 5.1 VDC	H1 Hirshmann		C 11 Point Cal Cert
	100P 0 to 100 PSI 006B 0 to 6 Bar		2F 1/4" NPT Female	27 1 to 5 VDC	A1 1/2" Conduit w/ 2' Cable		D Mate with Datum
	200P 0 to 200 PSI 010B 0 to 10 Bar		J7 7/16" SAE	28 1 to 6 VDC	AD 1/2" Conduit w/ 6' Cable		F Nema 4 Enclosure ³
	250P 0 to 250 PSI 016B 0 to 16 Bar			2T 0.1 to 10.1 VDC	AE 1/2" Conduit w/ 10' Cable		G Mating Hirshmann Con.
	500P 0 to 500 PSI 025B 0 to 25 Bar				AF 1/2" Conduit w/ 20' Cable		L Etched SS Tags
	10CP 0 to 1,000 PSI 040B 0 to 40 Bar				AG 1/2" Conduit w/ 25' Cable		Y Clean For Oxygen
	30CP 0 to 3,000 PSI 060B 0 to 60 Bar				T1 Terminal Strip ¹		
	50CP 0 to 5,000 PSI 100B 0 to 100 Bar						
	10KP 0 to 10,000 PSI 160B 0 to 160 Bar						
	250B 0 to 250 Bar						
	400B 0 to 400 Bar						
	700B 0 to 700 Bar						

² Both boxes must be filled in alphabetical order:
 • If No options: N + N
 • If 1 option: Option Code + N
 • If 2 options: Option Code + Option Code

³ Only available with T1 termination

¹ Formerly Model 207

Ordering Example: 2061025PG2M11048CN - Model 206, 0 to 25 PSIG, Gauge pressure, 1/4" NPT Male fitting, 4 to 20 mA output, 4' Cable Length, ±0.13% FS Accuracy, 11 Point Cal Cert option