

Description

The KMC MEP-1500 series Rotary Electric Actuators are designed to operate variable volume or other small dampers in HVAC systems.

To accommodate normal damper arrangements, the units are available in four different stroke options and can be shipped fully stroked to the clockwise or counterclockwise position.

The internal magnetic clutch allows the units to be stalled at either end of stroke with no heat rise from the actuator.

An optional reducer bushing allows them to be used directly with 3/8" damper shafts. Switch assemblies or feedback pots may be field added to the actuator output bushing. Refer to KMC data sheet on CME-1000 series Rotary Cam Switches or CME-2000 series Feedback Potentiometers.



Features

- ◆ Available in four different stroke options
- ◆ Magnetic Clutch allows installation at either end of stroke without heat rise
- ◆ Switch assemblies and feedback pots may be added in the field.

Application

The KMC MEP-1500 series Rotary Electric Actuators are designed to operate variable volume or other small dampers in HVAC systems.

Models

The following models are available:

MEP-1501	100° shipped CW
MEP-1502	60° shipped CW
MEP-1503	45° shipped CW
MEP-1504	360°, no stops
MEP-1505	100° shipped CCW
MEP-1506	60° shipped CCW
MEP-1507	45° shipped CCW

Accessories

The following accessories are available:

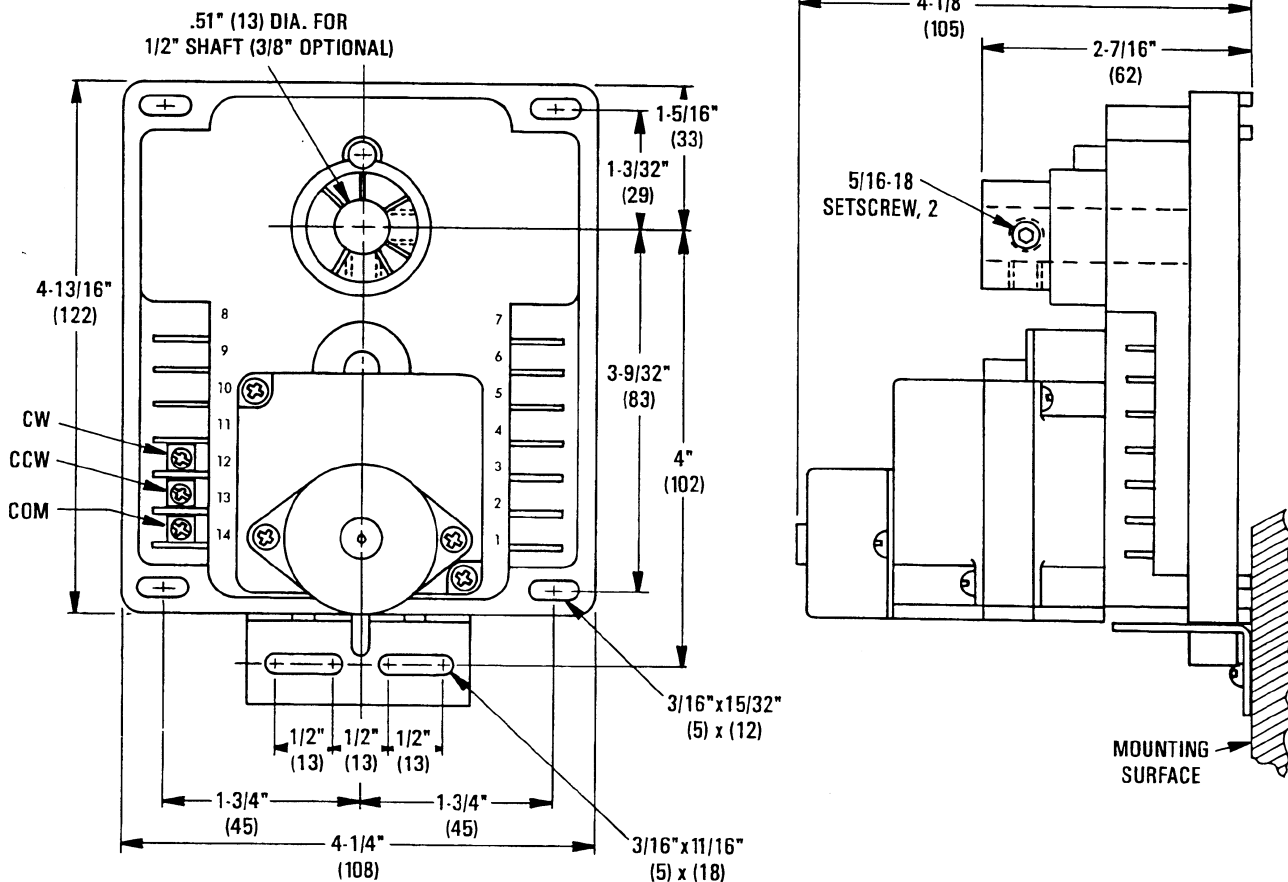
CME-1000	Rotary Cam Switches
CME-2000	Feedback Potentiometer
HFO-0011	3/8" shaft adaptor

Replacement Parts

HMO-1003	Anti-rotation bracket
HPO-0062	Motor and clutch assembly

Details

All dimensions are in inches (mm).



DAMPER TYPE	Up to 1000 FPM	1000 to 2500 FPM	2500 to 3000 FPM
Opposed Blade without seals	3 in.-lb. / sq.-ft	4.5 in.-lb. / sq.-ft	6 in.-lb. / sq.-ft
Parallel Blade without seals	4 in.-lb. / sq.-ft	6.0 in.-lb. / sq.-ft	8 in.-lb. / sq.-ft
Opposed Blade with seals	5 in.-lb. / sq.-ft	7.5 in.-lb. / sq.-ft	10 in.-lb. / sq.-ft
Parallel Blade with seals	7 in.-lb. / sq.-ft	10.5 in.-lb. / sq.-ft	14 in.-lb. / sq.-ft

Specifications

Supply Voltage	24 VAC, +20%/-15%;
Input Power	2 VA
Torque	35 to 55 in.-lb. (4 to 6 N•m)
Angular Rotation	45°, 60°, 100°, and 360°
Stroke Time	18°/minute
Connections	Plated screw terminals
Mounting	Direct to 1/2" shaft; optional 3/8"
Weight	1.2 lb. (0.54 kg)
Material	Glass-filled nylon
Temperature Limits	
Operating	40° to 120°F (4° to 49°C)
Shipping	-40° to 140°F (-40° to 60°C)

KMC Controls, Inc.
 19476 Industrial Drive
 New Paris, IN 46553
 574.831.5250
www.kmcccontrols.com