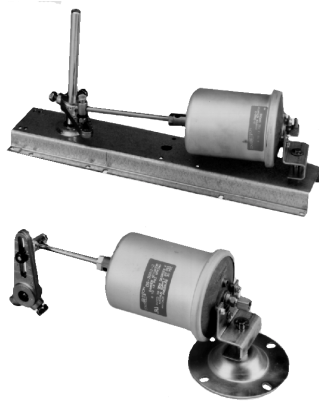


D-3062

# Pneumatic Piston Damper Actuator



## Description

The D-3062 Pneumatic Piston Damper Actuator accurately positions small dampers on Variable Air Volume (VAV) and terminal units. The actuator is also recommended for use on other air flow control dampers in interiors with a maximum area of 4 ft<sup>2</sup> (such as Johnson Controls D-1300 Series Dampers).

## Features

- aluminum housing protects the diaphragm and spring from dirt and damage
- tubular shaft accepts telescoping rods or push-pull ball joint linkage for linkage flexibility
- actuator housing allows front or rear mounting for mounting flexibility
- D-3062-41 is UL recognized component to 250° F (121° C)

## Applications

Can be used for:

- normally closed and normally open dampers
- VAV boxes

## Repair Parts

There are no repair parts available because it is impractical to attempt field repairs.

## To Order

Specify code number from the selection chart below.

## Selection Chart

Code Number	Description psig (kPa)
D-3062-1	Spring Range 3 to 7 (21 to 49)
D-3062-2	Spring Range 5 to 10 (35 to 70)
D-3062-3	Spring Range 8 to 13 (56 to 91)
D-3062-4	Spring Range 11 to 15 (77 to 105)
D-3062-41	Spring Range 8 to 13 (56 to 91) - UL recognized

## Accessories

Code Number	Description	
D-3062-100	Mounting Kits <sup>(a)</sup>	Universal Bracket Kit for Type "W" (N.O. or N.C.) and Type "F" (N.C. only) Mounting on Small D-1300 Dampers
D-3062-101		Auxiliary Mounting Kit for Swivel Mounting
D-3062-102		Small Damper Mounting Kit for Limited Space Requirement Mounting replaces #2 D-251
D-3062-103		Unit Vent Mounting Kit for Direct Replacement of Johnson Controls D-3000, Robertshaw M593 Series Actuators Krueter MCP 8030 or Barber Colman MK 693.
D-3153-109	Accessories	for 7/16 in. Shaft
D-3153-101	Slotted Crankarm:	for 1/2 in. Shaft
D-3153-108	Adjustable to 2-3/4 in. Radius	for 3/8 in. Shaft
D-9999-154	Swivel Ball Joint	
D-3062-107	Push-Pull Ball Joint and Nut (5 per bag)	
D-3062-105	Mounting Kit for Round Damper	
D-3062-104	Fork Clevis w/Jam Nut 1/4 in.-20	
D-3062-106	Extension Rod, 6 in. with 1/4 in.-20 Threaded End	
D-3062-108	Rod - spade end	
D-3062-600	Push-Pull Ball Joint	
D-3073-604	Ball Joint - weather resistant	
D-9999-152	Clevis Pin #6	
D-9999-153	Twist Lock Pin #4	

(a) Mounting kits include bracket, linkage, and all necessary mounting hardware.