



You in Control

SHP24-1575 HORN/STROBE

PRODUCT DESCRIPTION

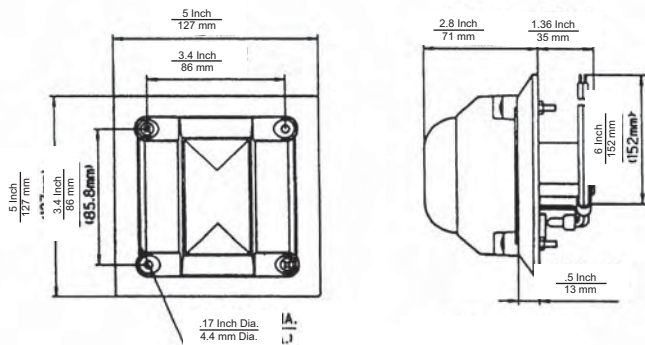
The SHP24-1575 Horn/Strobe is a visual and audible warning signaling device for fire protection systems that has been designed to command immediate attention. The SHP24-1575 features a candela intensity field selector switch enabling the candela output to be changed from 15cd to 30cd. Available in a red or white housing, the SHP24-1575 is rated at 24VDC polarized input and can be mounted to a 2 1/8" deep 4-inch square backbox. For installation flexibility, the SHP24-1575 can be installed horizontally or vertically. "Fire" and "Smoke" decals for both horizontal and vertical installations are supplied.

The SHP24-1575 Horn/Strobe is recommended for use in areas including: schools, corridors, apartments, office buildings, hotels, restaurants, as well as any other areas where audible or visual warnings are required by the Federal, State, or local authority having jurisdiction.



CSFM LISTED

MEA ACCEPTED



FEATURES

- ❖ Strobe field selectable light output settings for 15/75 or 30/120 cd
- ❖ 24VDC polarized input
- ❖ Mounts to 4" square backbox
- ❖ Red or white housing with clear or opaque lens
- ❖ Tamper-proof light output intensity selector switch
- ❖ Wall or ceiling mount

PRODUCT SPECIFICATIONS

INPUT VOLTAGE:	24VDC polarized	
LIGHT OUTPUT INTENSITY:	15cd per UL1971, 75cd on axis	30cd per UL1971, 120cd on axis
RATED CURRENT:	Average: 102mA Peak: 120mA	Average: 130mA Peak: 191mA
FLASH RATE:	60 times/min. (1Hz)	
SOUND OUTPUT:	UL spherical measurement - 82 dBA Indoor reverberent measurement - 95 dBA	
AMBIENT VOLTAGE RANGE:	32°F to 120°F (0°C to 49°C)	
MATERIAL:	ABS (housing) and polycarbonate (lens)	
HOUSING COLOR:	Red or white	
LENS CHOICE:	Clear with red housing - SHP24 - 1575R Clear with white housing - SHP24 - 1575W Opaque with white housing - SHP24 - 1575O	
ENVIRONMENT:	Indoor use ONLY	
WEIGHT:	8.5 oz	
DECALS:	"SMOKE" blue decal for red & white housing "FIRE" red decal for white housing "FIRE" white decal for red housing	

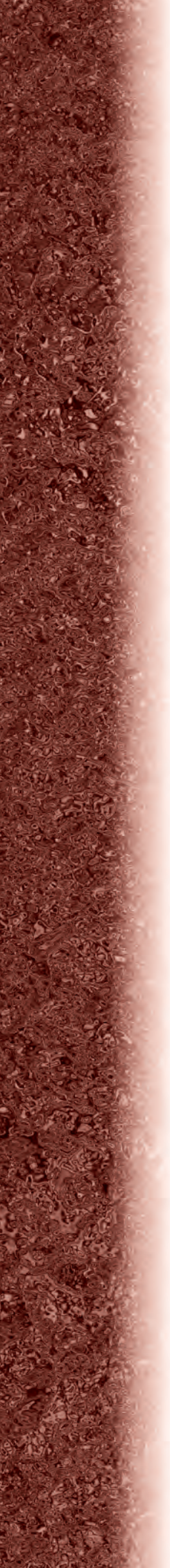
UL Listed (UL 1971, UCST) File #S1456 Vol. 1 / CSFM Listed (7135 - 0587 :107) / MEA Approved (300 - 99 - E Vol. 2)
Listed as AMSECO Model # SHP24-153075

Air Products and Controls Inc.
1749 E. Highwood
Pontiac, MI 48340
(248) 332-3900 Phone
(888) 332-2241 Toll free
(248) 332-8807 Fax
www.ap-c.com

**HALMA
GROUP
COMPANY**

Distributed By:





NOTICE: The information contained in this document is intended only as a summary and is subject to change without notice. The products described have specific instructional/installation documentation, which covers various technical, approval, code, limitation and liability information. Copies of this documentation along with any general product warning and limitation documents, which also contain important information, are provided with the product and are also available from Air Products and Controls Inc. The information contained in all of these documents should be considered before specifying or using the products. Any example applications shown are subject to the most current enforced local/national codes, standards, approvals, certifications, and/or the authority having jurisdiction. All of these resources, as well as the specific manufacturer of any shown or mentioned related equipment, should be consulted prior to any implementation. For further information or assistance concerning the products, contact Air Products and Controls Inc. Air Products and Controls Inc. reserves the right to change any and all documentation without notice.