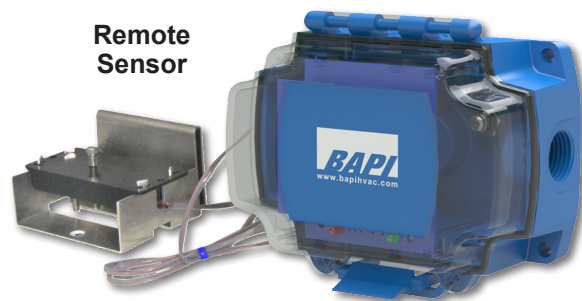




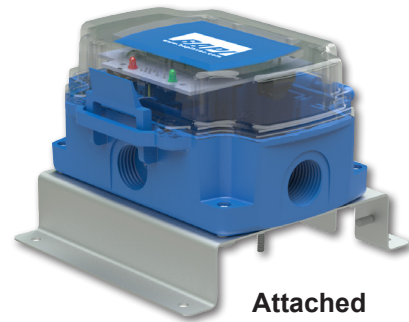
Features & Options

- Detection Within 5 Seconds with Local LED Alarm Indication
- Alarm Output 0.5 Amp Relays
- Three Configurations - Attached, Remote or Rope Sensor
- Usable in Industrial Electromagnetic Environments
- Automatic or Manual Unit Reset

The Water Leak Detector is designed to sense the presence of water and alert a central monitoring system of the potentially destructive situation. Upon water detection, the alarm output relays change state, and a local red LED illuminates. The sensors are capable of detecting dirty and purified water, deionized water, distilled water and reverse osmosis (RO) water.



Remote
Sensor



Attached
Sensor



Rope
Sensor

Specifications

Power: 24VAC/VDC $\pm 10\%$, 3.9VA max @ 24VAC, 90mA max @ 24VDC (Reverse Polarity Protected)

Note: This unit does not require a separate isolated power supply.

Rectification: Half Wave

Wiring:

Screw Terminals: 2 to 3 pair of 12 to 22AWG (BAPI recommends 16 to 22AWG).

Water Detection Sensor: 2 wires (provided)

Optional Flex Connector or Liquid Tight Fitting for strain relief

Sensor:

Attached Sensor: Sensor w/ adjustable depth screw from 0.063 to 0.84" (1.60 to 21.34mm)

Remote Sensor: Sensor w/ adjustable depth screw from 0.062 to 0.5" (1.57 to 12.70mm).

(Attached and Remote Sensors are designed to be mounted to flat surfaces or on the rims of drip pans.)

Rope Sensor: Plenum-rated sensor cable, detects 1/8" of water. Max Length: 100' (30.5m)

Alarm Output Relays:

Two SPST (Form A) Relays field selectable for Normally Open or Normally Closed. When configured as Normally Closed, the relay will change state with loss of power. 0.5A relay outputs, 10W max. Relay is not intended to switch a load.

Alarm Reset Action: Field selectable for Auto (Non-Latching) or Manual (Latching)

Auto: Relay automatically resets after water is removed (default)

Manual: Relay stays in alarm until manually reset or power is cycled

Local Indication: 1 Green Power LED, 1 Red Alarm LED

Operating Environment

Remote Sensor: -20 to 185°F (-20 to 70°C), 0 to 100%RH, Condensing

Rope Sensor: 32 to 167°F (0 to 75°C), 0 to 95%RH, Non-condensing

Detector (BB): -4 to 158°F (-20 to 70°C), 0 to 95%RH, Non-condensing

Enclosure Material and Ratings: NEMA 4 (IP66), UV-Resistant Polycarbonate, UL94V-0

Agency: CE 61326-1:2013 EMC (Industrial Electromagnetic Environment), RoHS, UL





Water Leak Detector Option Selection Guide

BA/ (#1) - (#2) - (#3)

#1: Leak Detector Transmitter (required)

LDT2..... Water leak detector with two 0.5 Amp SPST contacts

#2: Probe Sensor (required)

- PS..... Probe Sensor built into the enclosure
- RS5..... Remote Spot Sensor with 5 foot FEP cable
- RS10..... Remote Spot Sensor with 10 foot FEP cable
- RS25..... Remote Spot Sensor with 25 foot FEP cable
- RR10 Remote Rope Sensor with 10 foot plenum-rated sensor cable
- RR25 Remote Rope Sensor with 25 foot plenum-rated sensor cable
- RR50 Remote Rope Sensor with 50 foot plenum-rated sensor cable
- RR100 Remote Rope Sensor with 100 foot plenum-rated sensor cable

#3: Enclosure and Fitting Options (required)

- BB..... BAPI-Box enclosure, IP66 rated
- BB-LTF BAPI-Box enclosure, IP66 rated, with liquid tight fitting
- BB-GFF BAPI-Box enclosure, IP66 rated, with flex connector

Example Number: BA/ (LDT2) - (RR10) - (BB)

Actual Number (with parenthesis removed): BA/LDT2-RR10-BB

Description: Detector with Two 0.5A Relays, 10' Remote Rope Sensor and BAPI-Box Enclosure

List Price: \$151 (Two 0.5A Relays) + \$174 (10' Rope Sensor) + \$12 (BAPI-Box) = \$337 List Price

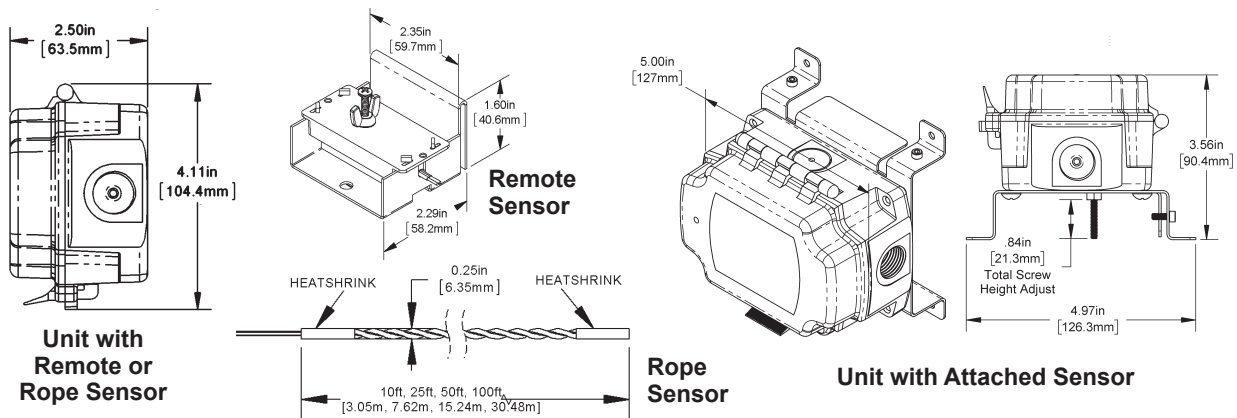
Your Number: BA/

Replacement Remote or Rope Sensors (For updates to existing systems)

Sensor Type

- BA/RS5..... Remote Spot Water Sensor with 5 foot FEP cable
- BA/RS10..... Remote Spot Water Sensor with 10 foot FEP cable
- BA/RS25..... Remote Spot Water Sensor with 25 foot FEP cable
- BA/RR10..... Remote Rope Sensor with 10 foot plenum-rated sensor cable
- BA/RR25..... Remote Rope Sensor with 25 foot plenum-rated sensor cable
- BA/RR50..... Remote Rope Sensor with 50 foot plenum-rated sensor cable
- BA/RR100..... Remote Rope Sensor with 100 foot plenum-rated sensor cable

Dimensions





Features & Options

- Detection Within 5 Seconds with Local LED Alarm Indication
- Alarm Output 5 Amp Relays
- Three Configurations - Attached, Remote or Rope Sensor
- Automatic or Manual Unit Reset

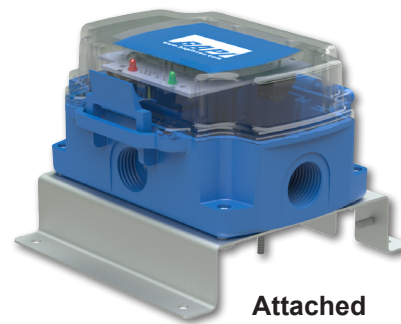
The Water Leak Detector is designed to sense the presence of water and alert a central monitoring system of the potentially destructive situation. Upon water detection, the alarm output relays change state, and a local red LED illuminates. The sensors are capable of detecting dirty and purified water, deionized water, distilled water and reverse osmosis (RO) water.



Remote
Sensor



Rope
Sensor



Attached
Sensor

Specifications

Power: 24VAC \pm 10% (If VDC power is required, call your BAPI rep.), 5 Amp Relays: 4 Watt / 4 VA max

Rectification: Half Wave

Wiring:

Screw Terminals: 2 to 4 pair of 12 to 22AWG (BAPI recommends 16 to 22AWG).

Water Detection Sensor: 2 wires (provided)

Optional Flex Connector or Liquid Tight Fitting for strain relief

Sensor:

Rope Sensor: Plenum-rated sensor cable, detects 1/8" of water. Max length: 100' (30.5m)

Attached Sensor: Sensor w/ adjustable depth screw from 0.063 to 0.84" (1.60 to 21.34mm)

Remote Sensor: Sensor w/ adjustable depth screw from 0.062 to 0.5" (1.57 to 12.70mm)

(Attached and Remote Sensors are designed to be mounted to flat surfaces or on the rims of drip pans.)

Latching and Supervised Relay Options:

LatchingRelay stays in alarm until manually reset or power is cycled

Non-LatchingRelay automatically resets after water is removed (default)

Unsupervised.....Relay energizes on water detection

Supervised.....Relay de-energizes on water detection (default) Note: Relay de-energizes on loss of power

Reset Action: If latching, local pushbutton or power interrupt

Local Indication: One green power LED, one red alarm LED

Alarm Relay Contacts:

LDT3: One SPDT, 5 Amp relay output

LDT4: Two SPDT, 5 Amp relay outputs

Operating Environment

Remote Sensor: -20 to 185°F (-20 to 70°C), 0 to 100%RH, condensing

Rope Sensor: 32 to 167°F (0 to 75°C), 0 to 95%RH, non-condensing

Detector (BB): -4 to 158°F (-20 to 70°C), 0 to 95%RH, non-condensing

Enclosure Material and Ratings: NEMA 4 (IP66), UV-resistant polycarbonate, UL94V-0

Agency: RoHS, UL





Water Leak Detector Option Selection Guide

BA/ (#1) - (#2) - (#3)

#1: Leak Detector Transmitter (required)

- LDT3.....Water leak detector with one 5A relay, SPDT contacts
- LDT4.....Water leak detector with two 5A relays, SPDT contacts

#2: Probe Sensor (required)

- PS.....Probe Sensor built into the enclosure
- RS5.....Remote Spot Sensor with 5 foot FEP cable
- RS10.....Remote Spot Sensor with 10 foot FEP cable
- RS25.....Remote Spot Sensor with 25 foot FEP cable
- RR10Remote Rope Sensor with 10 foot plenum-rated sensor cable
- RR25Remote Rope Sensor with 25 foot plenum-rated sensor cable
- RR50Remote Rope Sensor with 50 foot plenum-rated sensor cable
- RR100Remote Rope Sensor with 100 foot plenum-rated sensor cable

#3: Enclosure and Fitting Options (required)

- BB.....BAPI-Box enclosure, IP66 rated
- BB-LTFBAPI-Box enclosure, IP66 rated, with liquid tight fitting
- BB-GFFBAPI-Box enclosure, IP66 rated, with lex connector

Example Number: BA/ (LDT4) - (RR10) - (BB)

Actual Number (with parenthesis removed): BA/LDT4-RR10-BB

Description: Detector with Two 5A Relays, 10' Remote Rope Sensor and BAPI-Box Enclosure

Your Number: BA/

Replacement Remote or Rope Sensors (For updates to existing systems)

Sensor Type

- BA/RS5.....Remote Spot Water Sensor with 5 foot FEP cable
- BA/RS10.....Remote Spot Water Sensor with 10 foot FEP cable
- BA/RS25.....Remote Spot Water Sensor with 25 foot FEP cable
- BA/RR10.....Remote Rope Sensor with 10 foot plenum-rated sensor cable
- BA/RR25.....Remote Rope Sensor with 25 foot plenum-rated sensor cable
- BA/RR50.....Remote Rope Sensor with 50 foot plenum-rated sensor cable
- BA/RR100.....Remote Rope Sensor with 100 foot plenum-rated sensor cable

Dimensions

