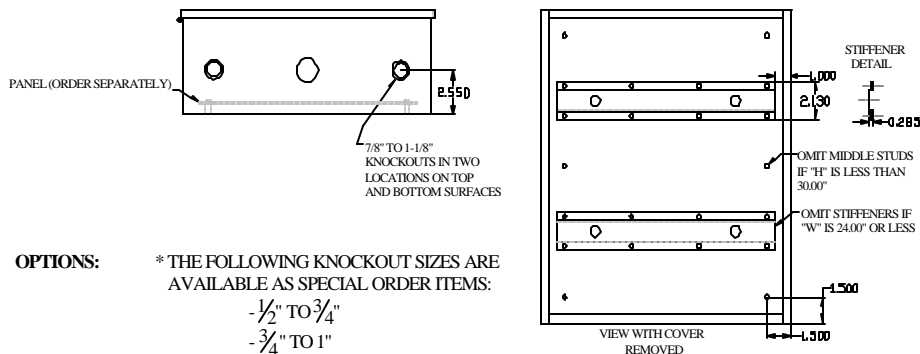
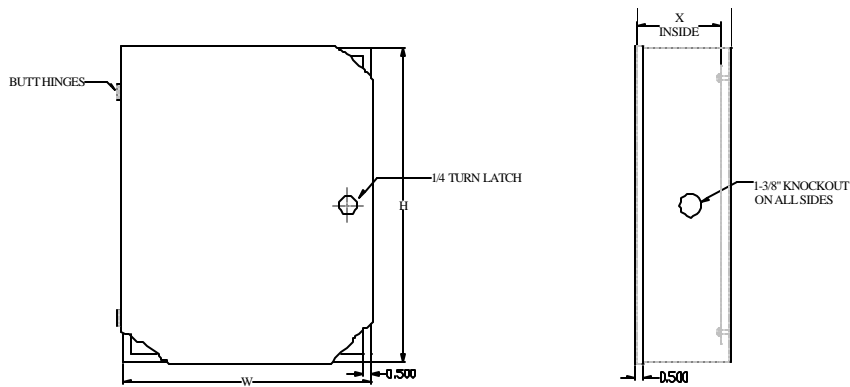


# STANDARD TYPE 1 ENCLOSURE WITH KEYED LOCK



**Industry Standards**  
 UL 50, Type 1  
 Nema Type 1

**UL LISTED C UL**  
 UL File E235575



**OPTIONS:**

\* THE FOLLOWING KNOCKOUT SIZES ARE AVAILABLE AS SPECIAL ORDER ITEMS:  
 - 1/2" TO 3/4"  
 - 3/4" TO 1"  
 - 1" TO 1-1/4"

PLEASE CALL FOR DETAILS

STANDARD TYPE 1 ENCLOSURE WITH KEYED LOCK						
CATALOG NUMBER	BODY/DOOR STEEL GAUGE	ENCLOSURE SIZE H x W x D	X	BACK PANEL OPTIONS		
				SEE BACK PANEL PAGES FOR SPECIFICATIONS		
N1-080604K	16/16	8.00" x 6.00" x 4.00"	3.362"	PP-0806	P2-0806	PS-0806
N1-100804K	16/16	10.00" x 8.00" x 4.00"	3.362"	PP-1008	P2-1008	PS-1008
N1-121204K	16/16	12.00" x 12.00" x 4.00"	3.362"	PP-1212	P2-1212	PS-1212
N1-171205K	16/16	17.375" x 12.75" x 5.625"	4.987"	PP-1712	P2-1712	PS-1712
N1-121006K	16/16	12.00" x 10.00" x 6.00"	5.362"	PP-1210	P2-1210	PS-1210
N1-121206K	16/16	12.00" x 12.00" x 6.00"	5.362"	PP-1212	P2-1212	PS-1212
N1-141206K	16/16	14.00" x 12.00" x 6.00"	5.362"	PP-1412	P2-1412	PS-1412
N1-161206K	16/16	16.00" x 12.00" x 6.00"	5.362"	PP-1612	P2-1612	PS-1612
N1-181606K	16/16	18.00" x 16.00" x 6.00"	5.362"	PP-1816	P2-1816	PS-1816
N1-182006K	16/16	18.00" x 20.00" x 6.00"	5.362"	PP-1820	P2-1820	PS-1820
N1-242006K	16/14	24.00" x 20.00" x 6.00"	5.362"	PP-2420	P2-2420	PS-2420
N1-242406K	16/14	24.00" x 24.00" x 6.00"	5.362"	PP-2424	P2-2424	PS-2424
N1-362406K	14/14	36.00" x 24.00" x 6.00"	5.362"	PP-3624	P2-3624	PS-3624
N1-161206DK	16/16	16.00" x 12.00" x 6.625"	5.987"	PP-1612	P2-1612	PS-1612
N1-161606DK	16/16	16.00" x 16.00" x 6.625"	5.987"	PP-1616	P2-1616	PS-1616
N1-201606DK	16/16	20.00" x 16.00" x 6.625"	5.987"	PP-2016	P2-2016	PS-2016
N1-242006DK	16/14	24.00" x 20.00" x 6.625"	5.987"	PP-2420	P2-2420	PS-2420
N1-242406DK	16/14	24.00" x 24.00" x 6.625"	5.987"	PP-2424	P2-2424	PS-2424
N1-302406DK	16/14	30.00" x 24.00" x 6.625"	5.987"	PP-3024	P2-3024	PS-3024
N1-362406DK	14/14	36.00" x 24.00" x 6.625"	5.987"	PP-3624	P2-3624	PS-3624
N1-121208K	16/16	12.00" x 12.00" x 8.00"	7.362"	PP-1212	P2-1212	PS-1212
N1-141208K	16/16	14.00" x 12.00" x 8.00"	7.362"	PP-1412	P2-1412	PS-1412
N1-242408DK	16/14	24.00" x 24.00" x 8.625"	7.987"	PP-2424	P2-2424	PS-2424
N1-302408DK	16/14	30.00" x 24.00" x 8.625"	7.987"	PP-3024	P2-3024	PS-3024
N1-362408DK	14/14	36.00" x 24.00" x 8.625"	7.987"	PP-3624	P2-3624	PS-3624
N1-242009K	16/14	24.00" x 20.00" x 9.375"	8.737"	PP-2420	P2-2420	PS-2420
N1-242409K	16/14	24.00" x 24.00" x 9.375"	8.737"	PP-2424	P2-2424	PS-2424
N1-362409K	14/14	36.00" x 24.00" x 9.375"	8.737"	PP-3624	P2-3624	PS-3624
N1-353009K	14/14	35.00" x 30.00" x 9.375"	8.737"	PP-3530	P2-3530	PS-3530
N1-423609K	14/14	42.00" x 36.00" x 9.375"	8.737"	PP-4236	P2-4236	PS-4236
N1-493009K	14/14	49.25" x 30.00" x 9.375"	8.737"	PP-4930	P2-4930	PS-4930
N1-242412K	16/14	24.00" x 24.00" x 12.625"	11.987"	PP-2424	P2-2424	PS-2424
N1-302412K	14/14	30.00" x 24.00" x 12.625"	11.987"	PP-3024	P2-3024	PS-3024
N1-362412K	14/14	36.00" x 24.00" x 12.625"	11.987"	PP-3624	P2-3624	PS-3624

**Applications:** Designed for indoor applications which do not have oil-tight and dust-tight requirements.

- Construction:**
- \* Steel fabricated doors and enclosures
  - \* Doors secured with butt hinges and keyed quarter turn latch
  - \* Mounting holes supplied on back of enclosure
  - \* Enclosure design allows mounting with doors opening either left or right
  - \* Standoffs provided for mounting of optional back panels
  - \* Various sizes of knockouts are supplied on all four sides of the enclosure

- Finish:**
- \* ANSI-61 gray powder coat
  - \* Optional colors available, please call for details

- Accessories:**
- \* Back panels (see reference tables)

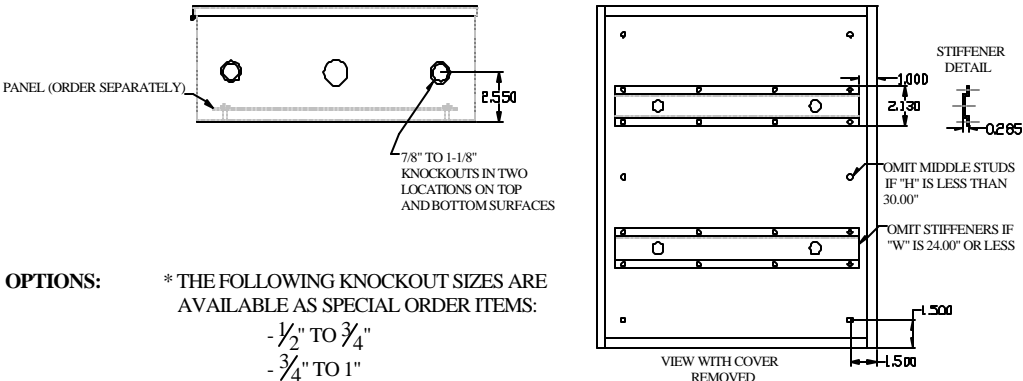
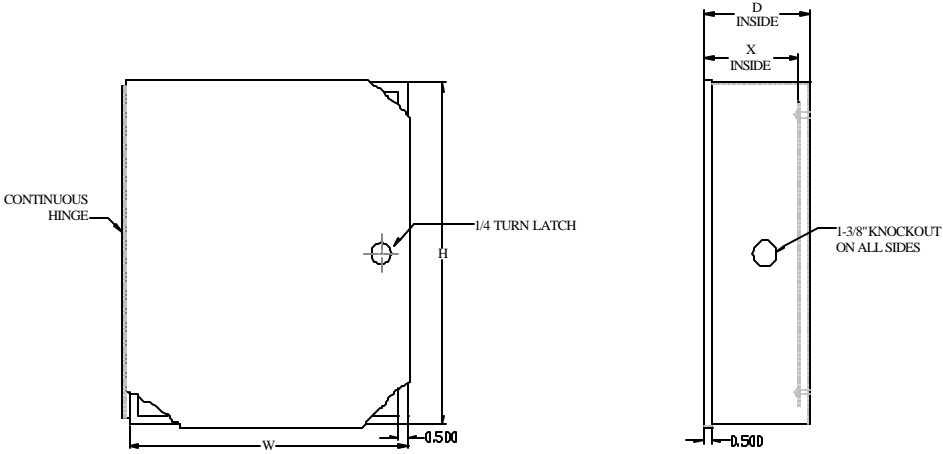
# TYPE 1 ENCLOSURE WITH CONTINUOUS HINGE AND KEYED LOCK



**Industry Standards**  
 UL 50, Type 1  
 Nema Type 1



UL File E235575



**OPTIONS:**

\* THE FOLLOWING KNOCKOUT SIZES ARE AVAILABLE AS SPECIAL ORDER ITEMS:

- 1/2" TO 3/4"
- 3/4" TO 1"
- 1" TO 1-1/4"

PLEASE CALL FOR DETAILS

TYPE 1 ENCLOSURE WITH CONTINUOUS HINGE AND KEYED LOCK						
CATALOG NUMBER	BODY/DOOR STEEL GAUGE	ENCLOSURE SIZE H x W x D	X	BACK PANEL OPTIONS		
				SEE BACK PANEL PAGES FOR SPECIFICATIONS		
N1C-080604K	16/16	8.00" x 6.00" x 4.00"	3.362"	PP-0806	P2-0806	PS-0806
N1C-100804K	16/16	10.00" x 8.00" x 4.00"	3.362"	PP-1008	P2-1008	PS-1008
N1C-121204K	16/16	12.00" x 12.00" x 4.00"	3.362"	PP-1212	P2-1212	PS-1212
N1C-171205K	16/16	17.375" x 12.75" x 5.625"	4.987"	PP-1712	P2-1712	PS-1712
N1C-121006K	16/16	12.00" x 10.00" x 6.00"	5.362"	PP-1210	P2-1210	PS-1210
N1C-121206K	16/16	12.00" x 12.00" x 6.00"	5.362"	PP-1212	P2-1212	PS-1212
N1C-141206K	16/16	14.00" x 12.00" x 6.00"	5.362"	PP-1412	P2-1412	PS-1412
N1C-161206K	16/16	16.00" x 12.00" x 6.00"	5.362"	PP-1612	P2-1612	PS-1612
N1C-181606K	16/16	18.00" x 16.00" x 6.00"	5.362"	PP-1816	P2-1816	PS-1816
N1C-182006K	16/16	18.00" x 20.00" x 6.00"	5.362"	PP-1820	P2-1820	PS-1820
N1C-242006K	16/14	24.00" x 20.00" x 6.00"	5.362"	PP-2420	P2-2420	PS-2420
N1C-242406K	16/14	24.00" x 24.00" x 6.00"	5.362"	PP-2424	P2-2424	PS-2424
N1C-362406K	14/14	36.00" x 24.00" x 6.00"	5.362"	PP-3624	P2-3624	PS-3624
N1C-161206DK	16/16	16.00" x 12.00" x 6.625"	5.987"	PP-1612	P2-1612	PS-1612
N1C-161606DK	16/16	16.00" x 16.00" x 6.625"	5.987"	PP-1616	P2-1616	PS-1616
N1C-201606DK	16/16	20.00" x 16.00" x 6.625"	5.987"	PP-2016	P2-2016	PS-2016
N1C-242006DK	16/14	24.00" x 20.00" x 6.625"	5.987"	PP-2420	P2-2420	PS-2420
N1C-242406DK	16/14	24.00" x 24.00" x 6.625"	5.987"	PP-2424	P2-2424	PS-2424
N1C-302406DK	16/14	30.00" x 24.00" x 6.625"	5.987"	PP-3024	P2-3024	PS-3024
N1C-362406DK	14/14	36.00" x 24.00" x 6.625"	5.987"	PP-3624	P2-3624	PS-3624
N1C-121208K	16/16	12.00" x 12.00" x 8.00"	7.362"	PP-1212	P2-1212	PS-1212
N1C-141208K	16/16	14.00" x 12.00" x 8.00"	7.362"	PP-1412	P2-1412	PS-1412
N1C-242408DK	16/14	24.00" x 24.00" x 8.625"	7.987"	PP-2424	P2-2424	PS-2424
N1C-302408DK	16/14	30.00" x 24.00" x 8.625"	7.987"	PP-3024	P2-3024	PS-3024
N1C-362408DK	14/14	36.00" x 24.00" x 8.625"	7.987"	PP-3624	P2-3624	PS-3624
N1C-242009K	16/14	24.00" x 20.00" x 9.375"	8.737"	PP-2420	P2-2420	PS-2420
N1C-242409K	16/14	24.00" x 24.00" x 9.375"	8.737"	PP-2424	P2-2424	PS-2424
N1C-362409K	14/14	36.00" x 24.00" x 9.375"	8.737"	PP-3624	P2-3624	PS-3624
N1C-353009K	14/14	35.00" x 30.00" x 9.375"	8.737"	PP-3530	P2-3530	PS-3530
N1C-423609K	14/14	42.00" x 36.00" x 9.375"	8.737"	PP-4236	P2-4236	PS-4236
N1C-493009K	14/14	49.25" x 30.00" x 9.375"	8.737"	PP-4930	P2-4930	PS-4930
N1C-242412K	16/14	24.00" x 24.00" x 12.625"	11.987"	PP-2424	P2-2424	PS-2424
N1C-302412K	14/14	30.00" x 24.00" x 12.625"	11.987"	PP-3024	P2-3024	PS-3024
N1C-362412K	14/14	36.00" x 24.00" x 12.625"	11.987"	PP-3624	P2-3624	PS-3624

**Applications:** Designed for indoor applications which do not have oil-tight and dust-tight requirements.

- Construction:**
- \* Steel fabricated doors and enclosures
  - \* Doors secured with continuous hinges and keyed quarter turn latch
  - \* Mounting holes supplied on back of enclosure
  - \* Enclosure design allows mounting with doors opening either left or right
  - \* Standoffs provided for mounting of optional back panels
  - \* Various sizes of knockouts are supplied on all four sides of the enclosure

- Finish:**
- \* ANSI-61 gray powder coat
  - \* Optional colors available, please call for details

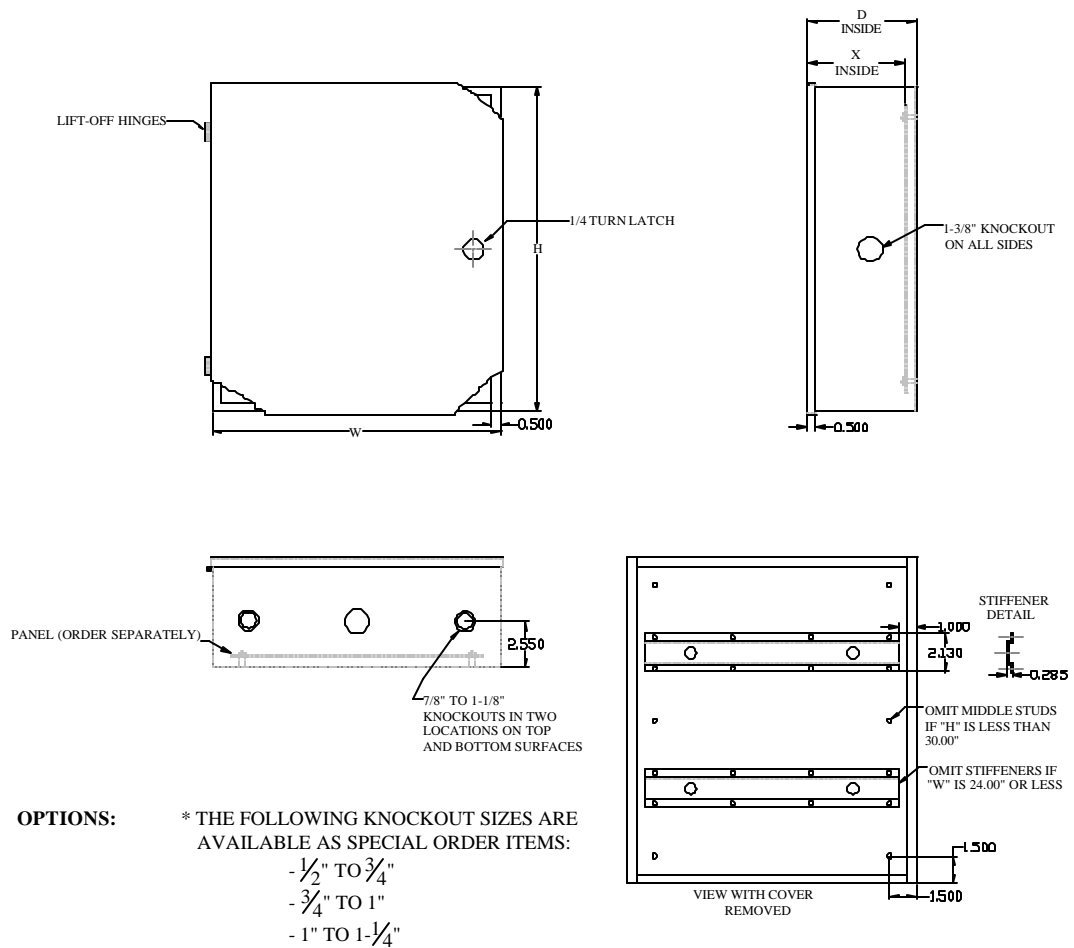
- Accessories:**
- \* Back panels (see reference tables)

# TYPE 1 ENCLOSURE WITH LIFT-OFF HINGES AND KEYED LOCK



**Industry Standards**  
UL 50, Type 1  
Nema Type 1

**UL LISTED c UL**  
UL File E235575



TYPE 1 ENCLOSURE WITH LIFT-OFF HINGES AND KEYED LOCK						
CATALOG NUMBER	BODY/DOOR STEEL GAUGE	ENCLOSURE SIZE H x W x D	X	BACK PANEL OPTIONS		
				SEE BACK PANEL PAGES FOR SPECIFICATIONS		
N1LR-080604K	16/16	8.00" x 6.00" x 4.00"	3.362"	PP-0806	P2-0806	PS-0806
N1LR-100804K	16/16	10.00" x 8.00" x 4.00"	3.362"	PP-1008	P2-1008	PS-1008
N1LR-121204K	16/16	12.00" x 12.00" x 4.00"	3.362"	PP-1212	P2-1212	PS-1212
N1LR-171205K	16/16	17.375" x 12.75" x 5.625"	4.987"	PP-1712	P2-1712	PS-1712
N1LR-121006K	16/16	12.00" x 10.00" x 6.00"	5.362"	PP-1210	P2-1210	PS-1210
N1LR-121206K	16/16	12.00" x 12.00" x 6.00"	5.362"	PP-1212	P2-1212	PS-1212
N1LR-141206K	16/16	14.00" x 12.00" x 6.00"	5.362"	PP-1412	P2-1412	PS-1412
N1LR-161206K	16/16	16.00" x 12.00" x 6.00"	5.362"	PP-1612	P2-1612	PS-1612
N1LR-181606K	16/16	18.00" x 16.00" x 6.00"	5.362"	PP-1816	P2-1816	PS-1816
N1LR-182006K	16/16	18.00" x 20.00" x 6.00"	5.362"	PP-1820	P2-1820	PS-1820
N1LR-242006K	16/14	24.00" x 20.00" x 6.00"	5.362"	PP-2420	P2-2420	PS-2420
N1LR-242406K	16/14	24.00" x 24.00" x 6.00"	5.362"	PP-2424	P2-2424	PS-2424
N1LR-362406K	14/14	36.00" x 24.00" x 6.00"	5.362"	PP-3624	P2-3624	PS-3624
N1LR-161206DK	16/16	16.00" x 12.00" x 6.625"	5.987"	PP-1612	P2-1612	PS-1612
N1LR-161606DK	16/16	16.00" x 16.00" x 6.625"	5.987"	PP-1616	P2-1616	PS-1616
N1LR-201606DK	16/16	20.00" x 16.00" x 6.625"	5.987"	PP-2016	P2-2016	PS-2016
N1LR-242006DK	16/14	24.00" x 20.00" x 6.625"	5.987"	PP-2420	P2-2420	PS-2420
N1LR-242406DK	16/14	24.00" x 24.00" x 6.625"	5.987"	PP-2424	P2-2424	PS-2424
N1LR-302406DK	16/14	30.00" x 24.00" x 6.625"	5.987"	PP-3024	P2-3024	PS-3024
N1LR-362406DK	14/14	36.00" x 24.00" x 6.625"	5.987"	PP-3624	P2-3624	PS-3624
N1LR-121208K	16/16	12.00" x 12.00" x 8.00"	7.362"	PP-1212	P2-1212	PS-1212
N1LR-141208K	16/16	14.00" x 12.00" x 8.00"	7.362"	PP-1412	P2-1412	PS-1412
N1LR-242408DK	16/14	24.00" x 24.00" x 8.625"	7.987"	PP-2424	P2-2424	PS-2424
N1LR-302408DK	16/14	30.00" x 24.00" x 8.625"	7.987"	PP-3024	P2-3024	PS-3024
N1LR-362408DK	14/14	36.00" x 24.00" x 8.625"	7.987"	PP-3624	P2-3624	PS-3624
N1LR-242009K	16/14	24.00" x 20.00" x 9.375"	8.737"	PP-2420	P2-2420	PS-2420
N1LR-242409K	16/14	24.00" x 24.00" x 9.375"	8.737"	PP-2424	P2-2424	PS-2424
N1LR-362409K	14/14	36.00" x 24.00" x 9.375"	8.737"	PP-3624	P2-3624	PS-3624
N1LR-353009K	14/14	35.00" x 30.00" x 9.375"	8.737"	PP-3530	P2-3530	PS-3530
N1LR-423609K	14/14	42.00" x 36.00" x 9.375"	8.737"	PP-4236	P2-4236	PS-4236
N1LR-493009K	14/14	49.25" x 30.00" x 9.375"	8.737"	PP-4930	P2-4930	PS-4930
N1LR-242412K	16/14	24.00" x 24.00" x 12.625"	11.987"	PP-2424	P2-2424	PS-2424
N1LR-302412K	14/14	30.00" x 24.00" x 12.625"	11.987"	PP-3024	P2-3024	PS-3024
N1LR-362412K	14/14	36.00" x 24.00" x 12.625"	11.987"	PP-3624	P2-3624	PS-3624

NOTE: REPLACE THE LR IN THE PART NUMBER WITH LL FOR LEFT OPENING DOORS WITH LIFT-OFF HINGES.

**Applications:** Designed for indoor applications which do not have oil-tight and dust-tight requirements.

- Construction:**
- \* Steel fabricated doors and enclosures
  - \* Doors secured with lift-off hinges and keyed quarter turn latch
  - \* Mounting holes supplied on back of enclosure
  - \* Enclosure/Door design allows doors to be removed
  - \* Standoffs provided for mounting of optional back panels
  - \* Various sizes of knockouts are supplied on all four sides of the enclosure

- Finish:**
- \* ANSI-61 gray powder coat
  - \* Optional colors available, please call for details

- Accessories:**
- \* Back panels (see reference tables)

PERFORATED BACK PANELS	
CATALOG NUMBER	PANEL SIZE A x B
PP-0806	6.00" x 4.00"
PP-1008	8.00" x 6.00"
PP-1210	10.00" x 8.00"
PP-1212	10.00" x 10.00"
PP-1412	12.00" x 10.00"
PP-1612	14.00" x 10.00"
PP-1616	14.00" x 14.00"
PP-1712	15.375" x 10.75"
PP-1816	16.00" x 14.00"
PP-1820	16.00" x 18.00"
PP-2016	18.00" x 14.00"
PP-2420	22.00" x 18.00"
PP-2424	22.00" x 22.00"
PP-3024	28.00" x 22.00"
PP-3530	33.00" x 28.00"
PP-3624	34.00" x 22.00"
PP-4236**	40.00" x 34.00"
PP-4930**	47.25" x 28.00"

\*\* 12 GA CARBON STEEL

2" ON CENTER BACK PANELS	
CATALOG NUMBER	PANEL SIZE A x B
P2-0806	6.00" x 4.00"
P2-1008	8.00" x 6.00"
P2-1210	10.00" x 8.00"
P2-1212	10.00" x 10.00"
P2-1412	12.00" x 10.00"
P2-1612	14.00" x 10.00"
P2-1616	14.00" x 14.00"
P2-1712	15.375" x 10.75"
P2-1816	16.00" x 14.00"
P2-1820	16.00" x 18.00"
P2-2016	18.00" x 14.00"
P2-2420	22.00" x 18.00"
P2-2424	22.00" x 22.00"
P2-3024	28.00" x 22.00"
P2-3530	33.00" x 28.00"
P2-3624	34.00" x 22.00"
P2-4236**	40.00" x 34.00"
P2-4930**	47.25" x 28.00"

\*\* 12 GA CARBON STEEL

SOLID BACK PANELS	
CATALOG NUMBER	PANEL SIZE A x B
PS-0806	6.00" x 4.00"
PS-1008	8.00" x 6.00"
PS-1210	10.00" x 8.00"
PS-1212	10.00" x 10.00"
PS-1412	12.00" x 10.00"
PS-1612	14.00" x 10.00"
PS-1616	14.00" x 14.00"
PS-1712	15.375" x 10.75"
PS-1816	16.00" x 14.00"
PS-1820	16.00" x 18.00"
PS-2016	18.00" x 14.00"
PS-2420	22.00" x 18.00"
PS-2424	22.00" x 22.00"
PS-3024	28.00" x 22.00"
PS-3530	33.00" x 28.00"
PS-3624	34.00" x 22.00"
PS-4236**	40.00" x 34.00"
PS-4930**	47.25" x 28.00"

\*\* 12 GA CARBON STEEL

**DESCRIPTION:**

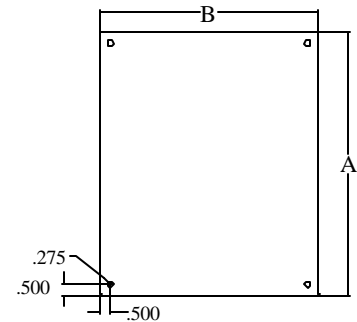
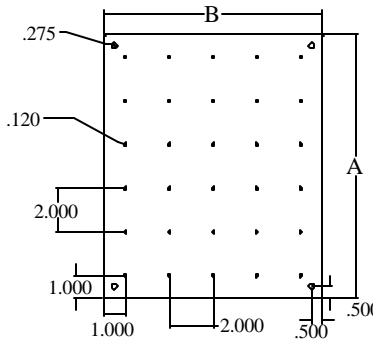
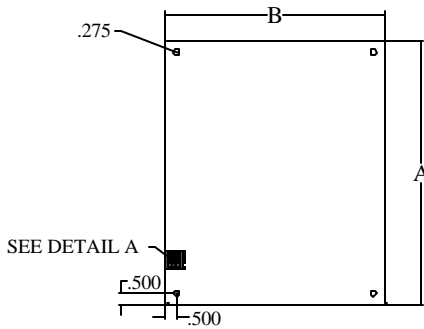
- \*14 GAUGE CARBON STEEL (UNLESS OTHERWISE NOTED)
- \*WHITE POWDER COAT
- \*FULLY PERFORATED

**DESCRIPTION:**

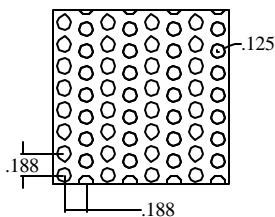
- \*14 GAUGE CARBON STEEL (UNLESS OTHERWISE NOTED)
- \*WHITE POWDER COAT
- \*HOLES SPACED 2" ON CENTER

**DESCRIPTION:**

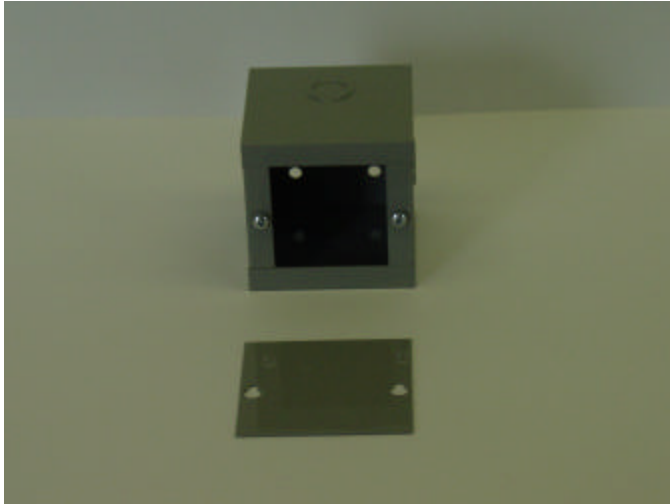
- \*14 GAUGE CARBON STEEL (UNLESS OTHERWISE NOTED)
- \*WHITE POWDER COAT



**DETAIL A**



# TYPE 1 ENCLOSURE WITH SCREW COVER



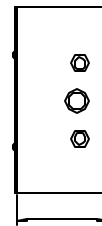
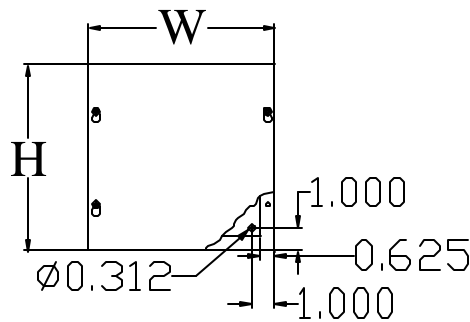
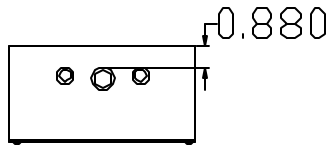
## Industry Standards

UL 50, Type 1

Nema Type 1



UL File E235575



D

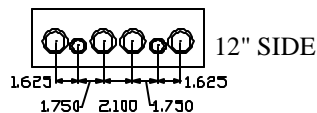
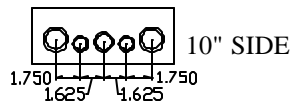
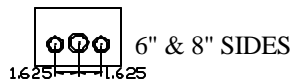
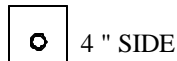
## INSIDE

### KNOCKOUT PATTERNS

A-  $\frac{1}{2}$ " TO  $\frac{3}{4}$ "

B-  $\frac{3}{4}$ " TO 1"

C- 1" TO  $1\frac{1}{4}$ "





<b>TYPE 1 ENCLOSURE WITH SCREW COVER</b>		
<b>CATALOG NUMBER</b>	<b>BODY/DOOR STEEL GAUGE</b>	<b>ENCLOSURE SIZE H x W x D</b>
<b>SC-040404</b>	16/16	4.00" x 4.00" x 4.00"
<b>SC-060604</b>	16/16	6.00" x 6.00" x 4.00"
<b>SC-080804</b>	16/16	8.00" x 8.00" x 4.00"
<b>SC-101004</b>	16/16	10.00" x 10.00" x 4.00"
<b>SC-121204</b>	16/16	12.00" x 12.00" x 4.00"
<b>SC-060606</b>	16/16	6.00" x 6.00" x 6.00"
<b>SC-080806</b>	16/16	8.00" x 8.00" x 6.00"
<b>SC-101006</b>	16/16	10.00" x 10.00" x 6.00"
<b>SC-121206</b>	16/16	12.00" x 12.00" x 6.00"

**Applications:** Designed for use as a junction box and pull box in general indoor applications

**Construction:**

- \* Steel fabricated enclosure and cover
- \* Mounting holes supplied on back of enclosure
- \* Various sizes of knockouts are supplied on all four sides of the enclosure
- \* Cover design allows for removal without fully removing screws

**Finish:**

- \* ANSI-61 gray powder coat
- \* Optional colors available, please call for details