

Building Controls Connection Inc

DCP SERIES CONTROL PANELS

Product Description

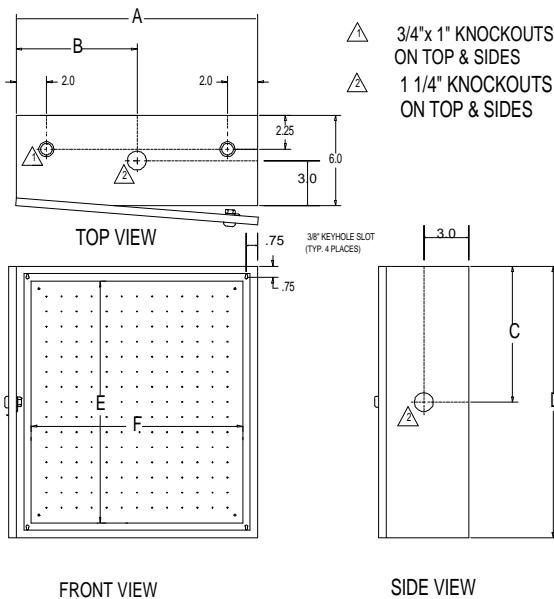
The DCP control panel is designed to provide a convenient method of surface mounting and protecting either pneumatic or electrical control devices.

The ease of wall mounting, plus a removable sub-panel on which the control devices are mounted, permits installation of the cabinet during construction and mounting of the finished subpanel at the required time.

The cabinet may be either a left or right hand door opening without additional hardware. Two or more cabinets may be mounted side by side or over and under to handle specific requirements. This eliminates the need for large, heavy-to-handle single panels. To join individual cabinets, remove the knockouts and fasten with the appropriate fittings and lock nuts. This provides a neat and flexible installation. Each side of the cabinet has convenient knockouts for rigid, soft, or flexible tubing or electrical equipment connections.



UNDERWRITERS LABORATORIES LISTED



- DCP-16-X** 16" wide x 18" high x 6" deep (UL Listed)
- DCP-20-X** 20" wide x 24" high x 6" deep (UL Listed)
- DCP-24-X** 24" wide x 36" high x 6" deep
- DCP-24-UL-X** 24" wide x 36" high x 6" deep (UL Listed)

X=Color: T=Tan, O=Orange, B=Blue

Construction

- Cabinet:** Nema 1; 16ga. steel (DCP-24-UL-X; 14ga)
- Subpanel:** Steel Perforated 1/8", 2" on center
- Knockouts:** Provided on all four sides of cabinet
- Finish:** Fine texture powder paint; specify color
- Mounting:** Keyhole Surface Mounting
- Approx Shipping Weights:**
 - DCP-16-X** 23 lbs.
 - DCP-20-X** 36 lbs.
 - DCP-24-X** 59 lbs.
 - DCP-24-UL-X** 75 lbs.

PANEL	A	B	C	D	E	F
DCP-16	16	8	9	18	16	14
DPC-20	20	10	12	24	22	18
DPC-24	24	12	18	36	34	22

Distributed By: **Building Controls Connection Inc**
 7637 Porter Rd
 Niagara Falls, NY 14304
 www.controlsconnection.com
 T:716-298-1693 F:716-298-1696

TYPE 1**Enclosures with Knockouts****Application-**

Designed to house electrical controls, instruments and components in areas that do not require oil, water and dust tight protection.

Construction -

- 0.063 & 0.075 carbon steel depending on its size.
- Spot weld construction.
- Knockouts provided in the top, bottom, right and left side.
- Standoffs provided for mounting optional panels.
- Butt hinge.
- Doors open 180 degrees.
- Key locking quarter turn latches.
- Ground stud on door.
- Mounting holes in back of enclosure.
- Subpanel with 2" x 2" mounting grid pattern included.

Finish -

Optional Precaution Blue texture, Safety Orange or Taupe Tan textured powder coat finish inside and out. Panels are powder coated to match the enclosure.

Options -

Optional mounting feet available.

Industry Standards -

NEMA Type 1
UL Listed Type 1
CSA Type 1
IEC 60529 IP 30

**TYPE 1
ENCLOSURES WITH KNOCKOUTS**

ENCLOSURES						SUB-PANEL		
Catalog No.	Height (A)	Width (B)	Depth (C)	Product Code	List Price	Panel Height (D)	Panel Width (E)	List Price
SCE-18N1606NK-T	18.00	16.00	6.00	N1	128.86	16.00	14.00	Included
SCE-18N1606NK-B	18.00	16.00	6.00	N1	128.86	16.00	14.00	Included
SCE-18N1606NK-O	18.00	16.00	6.00	N1	128.86	16.00	14.00	Included
SCE-24N2006NK-T	24.00	20.00	6.00	N1	152.30	22.00	18.00	Included
SCE-24N2006NK-B	24.00	20.00	6.00	N1	152.30	22.00	18.00	Included
SCE-24N2006NK-O	24.00	20.00	6.00	N1	152.30	22.00	18.00	Included
SCE-36N2406NK-T	36.00	24.00	6.00	N1	234.30	34.00	22.00	Included
SCE-36N2406NK-B	36.00	24.00	6.00	N1	234.30	34.00	22.00	Included
SCE-36N2406NK-O	36.00	24.00	6.00	N1	234.30	34.00	22.00	Included
*SCE-36N2406NL-T	36.00	24.00	6.00	N1	201.28	34.00	22.00	Included
*SCE-36N2406NL-B	36.00	24.00	6.00	N1	201.28	34.00	22.00	Included
*SCE-36N2406NL-O	36.00	24.00	6.00	N1	201.28	34.00	22.00	Included

**NL-Non UL Listed 16 ga enclosures.*

Note: Part Numbers ending in the letter:
(B) are Precaution Blue textured
(O) are Safety Orange textured
(T) are Taupe Tan textured



Phone (989) 799-6871
Fax (989) 799-4524



