

TYPE 1 Single-Door Enclosures

Application -

Designed to house electrical controls, instruments and components in areas that do not require oil, water and dust tight protection.

Construction -

- 0.060" & 0.075" carbon steel depending on its size.
- Spot weld construction.
- Standoffs provided for mounting optional panels.
- Butt hinge.
- Doors open 180 degrees.
- Black quarter turn latches.
- Latches are opened or closed with a screwdriver.
- Ground stud on door.
- Mounting holes in back of enclosure.
- Subpanel mounting hardware.

Options -

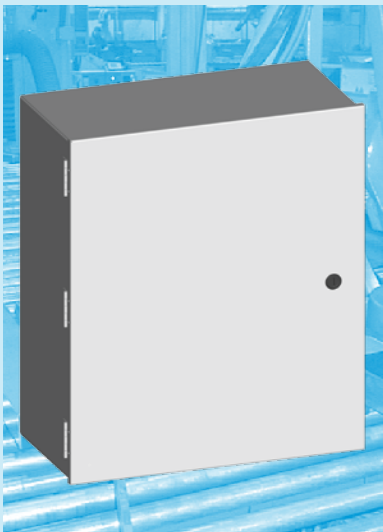
- Tamper-resistant inserts available.
- Optional mounting straps available

Finish -

ANSI-61 gray powder coat inside and out. Optional panels are powder coated white.

Industry Standards -

NEMA Type 1
UL Listed Type 1
CSA Type 1
IEC 60529 IP 30

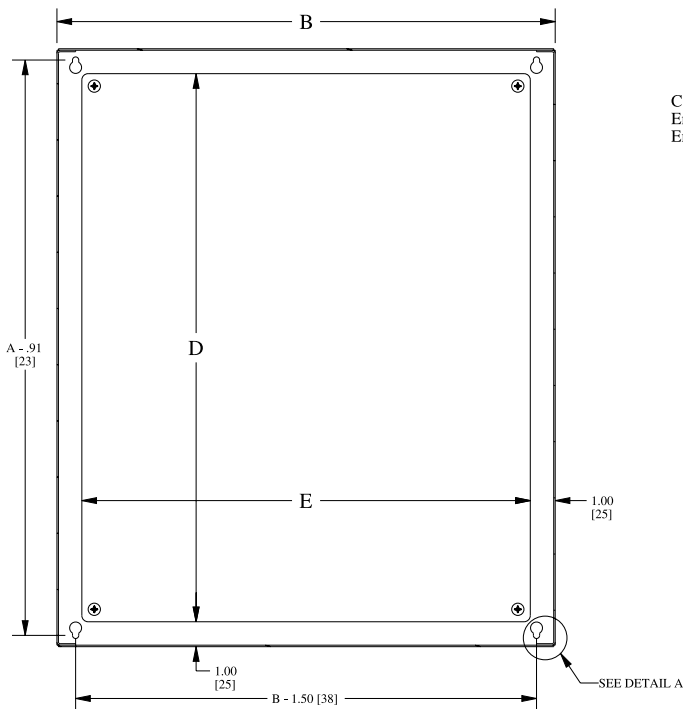
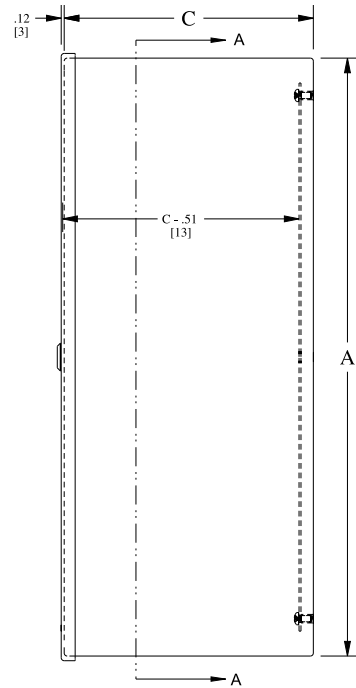
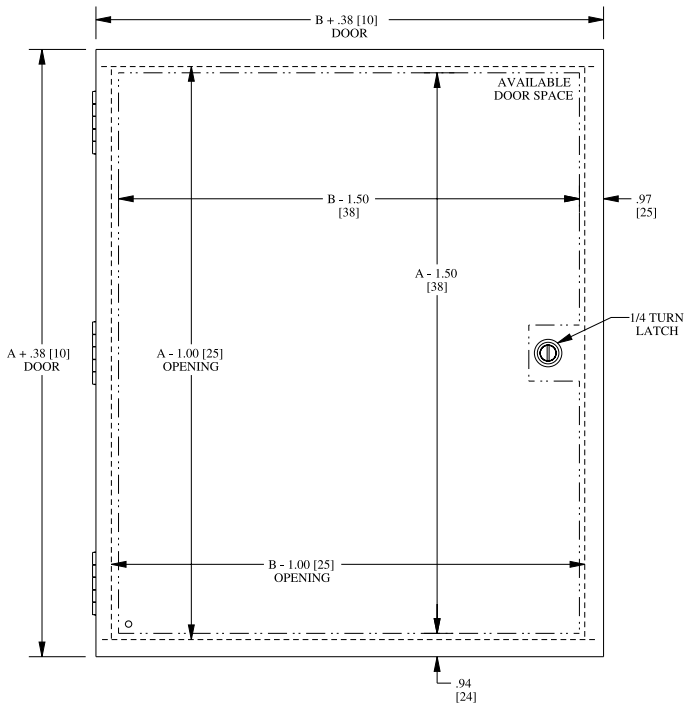


TYPE 1 SINGLE-DOOR ENCLOSURES

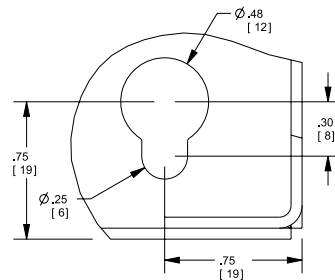
ENCLOSURES						SUB-PANEL				
Catalog No.	Height (A)	Width (B)	Depth (C)	Product Code	List Price	Catalog No.	Panel Height (D)	Panel Width (E)	Product Code	List Price
SCE-6N604LP	6.00	6.00	4.00	N1	27.03	SCE-6N6MP	4.00	4.00	N1	2.32
SCE-8N604LP	8.00	6.00	4.00	N1	29.50	SCE-8N6MP	6.00	4.00	N1	2.74
SCE-8N804LP	8.00	8.00	4.00	N1	32.75	SCE-8N8MP	6.00	6.00	N1	3.21
SCE-8N806LP	8.00	8.00	6.00	N1	36.86	SCE-8N8MP	6.00	6.00	N1	3.21
SCE-10N804LP	10.00	8.00	4.00	N1	35.97	SCE-10N8MP	8.00	6.00	N1	3.78
SCE-10N806LP	10.00	8.00	6.00	N1	40.64	SCE-10N8MP	8.00	6.00	N1	3.78
SCE-10N1004LP	10.00	10.00	4.00	N1	39.54	SCE-10N10MP	8.00	8.00	N1	4.40
SCE-10N1006LP	10.00	10.00	6.00	N1	44.85	SCE-10N10MP	8.00	8.00	N1	4.40
SCE-12N1004LP	12.00	10.00	4.00	N1	43.25	SCE-12N10MP	10.00	8.00	N1	5.12
SCE-12N1006LP	12.00	10.00	6.00	N1	48.93	SCE-12N10MP	10.00	8.00	N1	5.12
SCE-12N1204LP	12.00	12.00	4.00	N1	47.37	SCE-12N12MP	10.00	10.00	N1	6.11
SCE-12N1206LP	12.00	12.00	6.00	N1	53.69	SCE-12N12MP	10.00	10.00	N1	6.11
SCE-12N1208LP	12.00	12.00	8.00	N1	59.95	SCE-12N12MP	10.00	10.00	N1	6.11
SCE-14N1204LP	14.00	12.00	4.00	N1	51.60	SCE-14N12MP	12.00	10.00	N1	6.86
SCE-14N1206LP	14.00	12.00	6.00	N1	58.45	SCE-14N12MP	12.00	10.00	N1	6.86
SCE-14N1208LP	14.00	12.00	8.00	N1	65.25	SCE-14N12MP	12.00	10.00	N1	6.86
SCE-16N1206LP	16.00	12.00	6.00	N1	98.04	SCE-16N12MP	14.00	10.00	N1	7.71
SCE-16N1208LP	16.00	12.00	8.00	N1	106.84	SCE-16N12MP	14.00	10.00	N1	7.71
SCE-16N1606LP	16.00	16.00	6.00	N1	109.57	SCE-16N16MP	14.00	14.00	N1	9.47
SCE-16N1608LP	16.00	16.00	8.00	N1	119.19	SCE-16N16MP	14.00	14.00	N1	9.47
SCE-16N2006LP	16.00	20.00	6.00	N1	121.09	SCE-20N16MP	18.00	14.00	N1	11.65
SCE-20N1606LP	20.00	16.00	6.00	N1	121.09	SCE-20N16MP	18.00	14.00	N1	11.65
SCE-20N1608LP	20.00	16.00	8.00	N1	132.41	SCE-20N16MP	18.00	14.00	N1	11.65
SCE-20N2006LP	20.00	20.00	6.00	N1	132.99	SCE-20N20MP	18.00	18.00	N1	15.83
SCE-20N2008LP	20.00	20.00	8.00	N1	145.52	SCE-20N20MP	18.00	18.00	N1	15.83
SCE-20N2010LP	20.00	20.00	10.00	N1	158.06	SCE-20N20MP	18.00	18.00	N1	15.83
SCE-24N1606LP	24.00	16.00	6.00	N1	131.91	SCE-24N16MP	22.00	14.00	N1	14.33
SCE-24N2006LP	24.00	20.00	6.00	N1	147.17	SCE-24N20MP	22.00	18.00	N1	17.87
SCE-24N2008LP	24.00	20.00	8.00	N1	161.03	SCE-24N20MP	22.00	18.00	N1	17.87
SCE-24N2010LP	24.00	20.00	10.00	N1	174.83	SCE-24N20MP	22.00	18.00	N1	17.87
SCE-24N2406LP	24.00	24.00	6.00	N1	149.12	SCE-24N24MP	22.00	22.00	N1	33.63
SCE-24N2408LP	24.00	24.00	8.00	N1	164.32	SCE-24N24MP	22.00	22.00	N1	33.63
SCE-24N2412LP	24.00	24.00	12.00	N1	194.33	SCE-24N24MP	22.00	22.00	N1	33.63
SCE-30N2406LP	30.00	24.00	6.00	N1	165.84	SCE-30N24MP	28.00	22.00	N1	44.46
SCE-30N2408LP	30.00	24.00	8.00	N1	184.23	SCE-30N24MP	28.00	22.00	N1	44.46
SCE-30N2412LP	30.00	24.00	12.00	N1	216.79	SCE-30N24MP	28.00	22.00	N1	44.46
SCE-30N3008LP	30.00	30.00	8.00	N1	207.99	SCE-30N30MP	28.00	28.00	N1	55.55
SCE-36N2406LP	36.00	24.00	6.00	N1	192.87	SCE-36N24MP	34.00	22.00	N1	45.70
SCE-36N2408LP	36.00	24.00	8.00	N1	211.73	SCE-36N24MP	34.00	22.00	N1	45.70
SCE-36N2412LP	36.00	24.00	12.00	N1	245.16	SCE-36N24MP	34.00	22.00	N1	45.70
SCE-36N3006LP	36.00	30.00	6.00	N1	211.16	SCE-36N30MP	34.00	28.00	N1	65.58
SCE-36N3008LP	36.00	30.00	8.00	N1	231.98	SCE-36N30MP	34.00	28.00	N1	65.58
SCE-36N3012LP	36.00	30.00	12.00	N1	273.50	SCE-36N30MP	34.00	28.00	N1	65.58

**Perforated subpanels available in the accessory section.*

TYPE 1 SINGLE DOOR ENCLOSURES TECHNICAL DATA



CONSTRUCTION NOTES:
Enclosures < 24.00" [610] wide are made of 0.060" [2] material.
Enclosures => 24.00" [610] wide are made of 0.075" [2] material.



DETAIL A

SECTION A-A