

Electric Low Temperature Detection Thermostats



134 Electric Low Temperature Detection Thermostat.

Description

The 134 Electric Low Temperature Detection Thermostat is a remote bulb instrument with a Single Pole, Double Throw switch. Any one foot of the capillary element actuates the thermostat switch, making this control ideal for the protection of large coils where air stratification could cause localized freezing conditions.

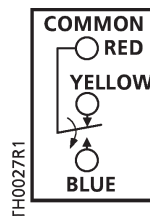
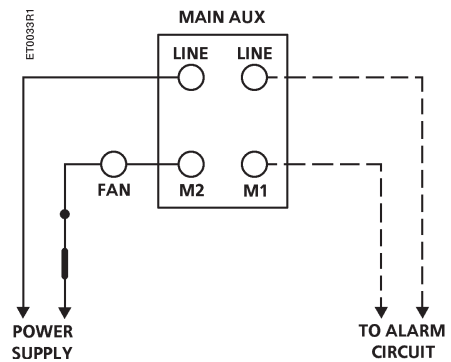
Features

- Compact and durable construction
- Adjustable concealed, low and high range limit stops with a fixed differential
- Available with manual or automatic reset
- Electroplated copper capillary tube for sensitivity and durability
- Switches 120 V or 20 Vac
- Universal mounting bracket included

Applications

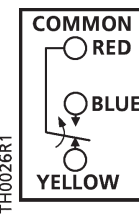
The 134 Electric Low Temperature Detection Thermostats are ideally suited for detecting potential freeze-up conditions of heating coils, cooling coils, liquid heating pipes, and similar applications.

Typical Connections



OPEN ON RISE

Red to Yellow opens on temp. decrease below set point.
Red to Blue closes on temp. decrease below set point.



CLOSE ON RISE

Red to Blue closes on temp. decrease below set point.
Red to Yellow opens on temp. decrease below set point.

Specifications/Product Ordering

Part No. 134-1504

Dimensions 4" W x 3.25" H x 2.5" D
(102 mm W x 83 mm H x 65 mm D)

Shipping Weight 2.4 lb. (1.1 kg)

Part No. 134-1510

Dimensions 2.31" W x 3.19" H x 2.31" D
(59 mm W x 81 mm H x 59 mm D)

Shipping Weight 1.8 lb. (0.8 kg)

Part No. 134-1511

Dimensions 2.31" W x 3.19" H x 2.31" D
(59 mm W x 81 mm H x 59 mm D)

Shipping Weight 1.8 lb. (0.8 kg)

Accessories & Service Kits **A-91**

	Temperature Range	Switch Action	Bulb Size	Reset Action	Part No.
134	35 to 45°F (1.7 to 7.2°C)	SPDT	1/8" x 20' (3 mm x 6 m)	Automatic	134-1510
	35 to 45°F (1.7 to 7.2°C)	SPDT	1/8" x 20' (3 mm x 6 m)	Manual	134-1511
	15 to 55°F (-9.4 to +12.8°C)	DPST, 4-wire 2 Circuit	1/8" x 20' (3 mm x 6 m)	Manual	134-1504



A-74

Thermostats



Part No. in black box Ships same day when requested through Rapid Response™ shipping. See page 1 for details.

