



FREEZE STATS

Manual & Automatic with Relay(s)

The A/FLS Series Low Temperature Cutout Thermostat, otherwise known as a "Freeze Stats" are designed with a vapor charged capillary sensing element for use in equipment that requires low-temperature cutout protection. The purpose of the A/FLS Series freeze stats are to protect heating and cooling coils from freezing or to be used in any other equipment where temperature stratification may occur. All A/FLS series devices are 4 Wire, two circuit devices that can be used to shut down your system upon the air temperature reaching the low temperature limit as well as to simultaneously switch on a local indicator or remote alarm when

used with your building management system or controller. The A/FLS Freeze Stats or low limit switches are available in four standard lengths with either Automatic or Manual Resets based upon the system design requirements. A NEMA 1 rated metal enclosure comes standard with a 1/2" conduit knockout included for all line voltage connections. An optional mounting bracket and plenum rated nylon capillary mounting clips are available and must be ordered separately as listed on the back of this data sheet.

Applications: Protect Heating and Cooling Coils, Low Temperature Limit Switch in applications where temperature stratification may occur

The A/FLS Series Freeze Stats are covered by ACI's Two (2) Year Limited Warranty. The warranty can be found in the front of ACI's Sensors & Transmitters catalog, as well as on ACI's website, www.workaci.com.

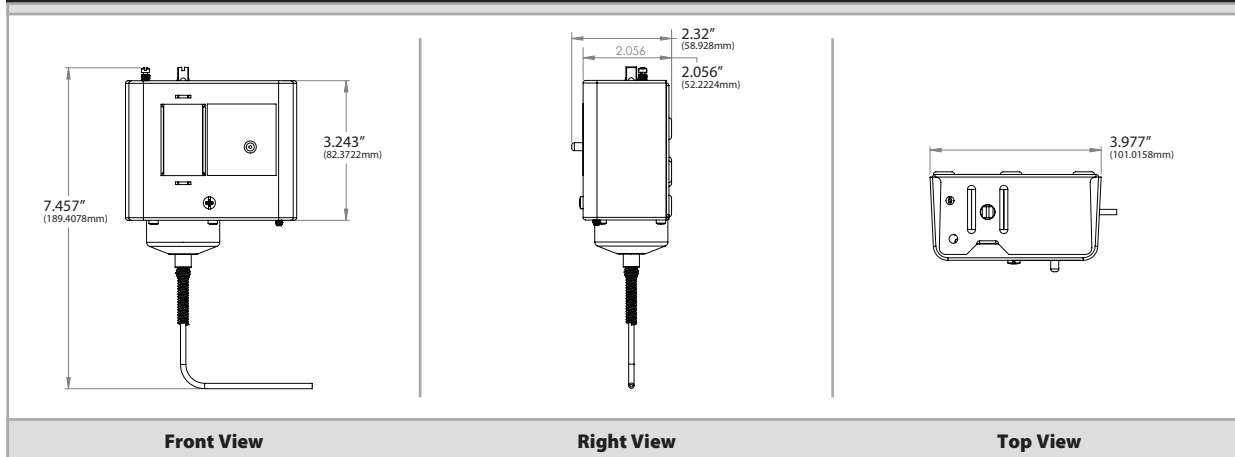
PRODUCT SPECIFICATIONS

Thermostat Type:	Self-contained, electromechanical	
Sensing Element:	Vapor Pressure	
Sensing Media:	Temperature in air	
Adjustable Trip Point Range:	15°F to 55°F (-9°C to 13°C); Factory set with Stop at 35°F(1.7°C)	
Trip Point Screw Location:	Slotted adjustment screw top of unit	
Reset Options:	Manual and Automatic Resets available (See Ordering Grid back of data sheet)	
Switching Differential (Auto Reset Only):	Approximately 5°F (2.8°C), Non-adjustable	
Contact Style:	4 Wires, 2 Circuits (Two simultaneously switching contacts (Circuits))	
Contact Action:	Line to M2 (Main): Open on Temperature Drop	Line to M1 (Auxiliary/Alarm): Close on Temperature Drop
Contact Ratings:	See Electrical Ratings Table on back of data sheet	
Wire Connections:	Screw Terminals; Copper wire only rated to 90°C (194°F) minimum	
Sensing Response:	To lowest temperature sensed along any 14 to 16" (35.6 to 40.6 cm) length of sensing element	
Sensing Capillary Material:	Copper	
Sensing Capillary Length:	See Ordering Grid on Back of Data Sheet	
Sensing Capillary Diameter:	0.125" (3.18 mm)	
Enclosure NEMA Rating:	NEMA 1 (IP10)	
Enclosure Material:	Steel, galvanized	
Enclosure Color Finish:	Black Baked Enamel	
Conduit Entry:	1/2" conduit knockout	
Operating Temperature Range:	0 to 140°F (-18 to 60°C)	
Storage Temperature Range:	-40 to 158°F (-40 to 70°C)	
Sensing Capillary Overrun Temperature:	400°F (204.4°C) maximum	
Operating / Storage Humidity Range:	0 to 95% RH, non-condensing	
Product Weight:	A/FLS-06-x:	A/FLS-10-x:
	A/FLS-20-x: 2.31 lbs. (1.046 kg) A/FLS-50-x:	
Product Dimensions (L x W x H):	A/FLS06-x, A/FLS-10-x, A/FLS-20-x: 8.125" (20.64 cm) x 6.375" (16.19 cm) x 2.625" (6.67 cm)	
	A/FLS-50-x: 10.125" (25.72 cm) x 3.375" (16.19 cm) x 5.500" (13.97 cm)	
Agency Approvals:	UL File # SA516 UL 873 CSA File # LR948 C22.2 No. 24-199 C-Tick # ACN 002 968 103	
	RoHS Compliant	





DIMENSIONAL DRAWING



ELECTRICAL RATINGS

POLE NUMBER	LINE-M2 (MAIN)				LINE-M1 (AUXILIARY)			
	120V	208V	240V	277V	120V	208V	240V	277V
Motor Ratings (VAC)	120V	208V	240V	277V	120V	208V	240V	277V
AC Full Load Amp	16.0	9.2	8.0	---	6.0	3.3	3.0	---
AC Locked Rotor Amp	96.0	55.2	48.0	---	36.0	19.8	18.0	---
AC Non-Inductive Amp	16.0	9.2	8.0	7.2	6.0	6.0	6.0	6.0
Pilot Duty - Both Poles	125 VA, 120 to 600 VAC and 57.5 VA, 120 to 300 VDC				125 VA, 120 to 600 VAC and 57.5 VA, 120 to 300 VDC			

STANDARD ORDERING

Model # Example: **A/FLS-06-A** -OR- **145354**

Model #	Item #	Description	Capillary Length Feet (m)	Reset Style
A/FLS-06-A	145354	Freeze Stat_4 wires 2 circuits_Auto_6ft	6' (1.83m)	Automatic
A/FLS-06-M	145355	Freeze Stat_4 wires 2 circuits_Man_6ft	6' (1.83m)	Manual
A/FLS-10-A	145356	Freeze Stat_4 wires 2 circuits_Auto_10ft	10' (3.05m)	Automatic
A/FLS-10-M	145357	Freeze Stat_4 wires 2 circuits_Man_10ft	10' (3.05m)	Manual
A/FLS-20-A	145358	Freeze Stat_4 wires 2 circuits_Auto_20ft	20' (6.10m)	Automatic
A/FLS-20-M	145359	Freeze Stat_4 wires 2 circuits_Man_20ft	20' (6.10m)	Manual
A/FLS-50-A	145360	Freeze Stat_4 wires 2 circuits_Auto_50ft	50' (15.24m)	Automatic
A/FLS-50-M	145361	Freeze Stat_4 wires 2 circuits_Man_50ft	50' (15.24m)	Manual

ACCESSORIES ORDERING

Model # Example: **UNIVERSAL CLIP 50** -OR- **145430**

Model #	Item #	Description
FLS MTG BKT	145434	FLS Series Mounting Bracket
UNIVERSAL CLIP 6	145421	Universal Mounting Clip (Quantity 6)
UNIVERSAL CLIP 50	145430	Universal Mounting Clip (Quantity: 50)

