

GRD Series Universal Thermostat Guards Plastic, Cast Aluminum or Wire

Application

The GRD guards are for use in commercial, public, and industrial buildings such as schools, warehouses, churches, hospitals, offices, etc. to protect thermostats and humidistats from damage, vandalism, tampering, and unauthorized adjustment.

Features

- Full ventilation, both vertically and horizontally, for accurate thermostat or humidistat operation.
- Sizes to fit most thermostats and humidistats.
- Models available for mounting on switch box, to flat surfaces, or over control which has been previously installed. Set point may be viewed without removing guard.
- Built-in lock with one key supplied with plastic guards.

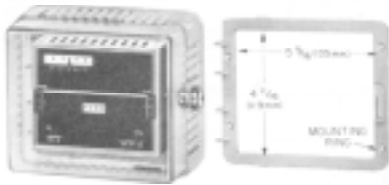


Fig. 2 -- "La Grande" guard includes a baseplate and a mounting ring. A T52 thermostat is illustrated inside guard.

General Description

Guards are of tough, durable .125 in. (3.18 mm) thick clear plastic, cast aluminum, or wire to withstand bumps and abuse. Sizes are available which fit most thermostats and humidistats, for vertical or horizontal mounting. The clear plastic guards have a tumbler type key lock.

Models are available with mounting rings for mounting the guard over a previously installed control. (See Figs. 1 and 2.)

Repairs and Replacement

Replacement key kit No. KEY12A-600 which contains two keys is available for the plastic guards. For a key kit or replacement guard, contact the nearest Johnson Controls wholesaler.

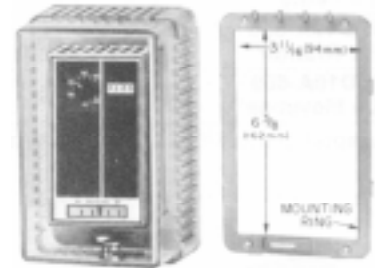


Fig. 1 -- Rectangular "La Moyenne" guard includes a baseplate and a mounting ring. Guard may be mounted vertically or horizontally. A T25 thermostat is shown inside guard.

Ordering Information

To order, specify Product Number only.

Product Number Selection

Product No.	Description	See Fig. No.
GRD10-1R	Wire guard only	5
GRD10A-600	Wire guard and baseplate	—
GRD10A-601	Cast aluminum guard and baseplate	3
GRD10A-606	"La Petite" plastic guard and baseplate	4
GRD10A-608	"La Grande" plastic guard with baseplate and mounting ring	2
GRD10A-609	"La Moyenne" plastic guard with baseplate and mounting ring	1

Shipping Weights

Product Number	Individual Pack		Product Number	Individual Pack	
	Lbs.	kg		Lbs.	kg
GRD10-1R	.7	.32	GRD10A-606	.7	.32
GRD10A-600	1.3	.59	GRD10A-608	1.1	.49
GRD10A-601	1.3	.59	GRD10A-609	1.3	.59

Guard Selection Guide

Guard Product Number	Thermostat or Humidistat Number															
	T22	T25	T26	T28 No Switches	T31A, T31B	T41	T51A, T51B	T52, T53	T80	T91	T93	W42	W43, W45	W50	W51	W93
GRD10-1R	X	—	X	—	—	X	—	—	X	X	—	X	X	—	X	—
GRD10A-600	X	—	X	—	—	X	—	—	X	X	—	X	X	—	X	—
GRD10A-601	X	—	X	X	X	X	X*	—	X	X	—	X	X	—	X	—
GRD10A-606 "La Petite"	—	—	—	—	—	X	X	—	—	—	—	—	—	—	X	—
GRD10A-608 "La Grande"	X	X	X	X	X	X	X	X	X	X	X	X	X	X	X	X
GRD10A-609 "La Moyenne"	X	X	X	X	X	X	X	X	X	X	—	X	X	—	X	—

*Adapter plate kit No. PLT33A-601 is required. Must be ordered separately by kit number.

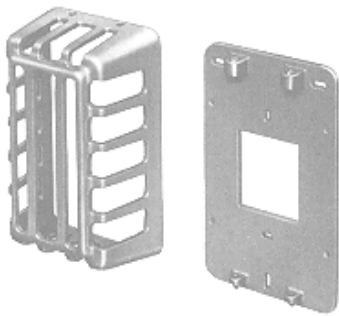


Fig. 3 – Cast aluminum guard is shown above. Baseplate of cast aluminum is also included.



Fig. 4 – "La Petite" guard shown above fits most low voltage wall thermostats.

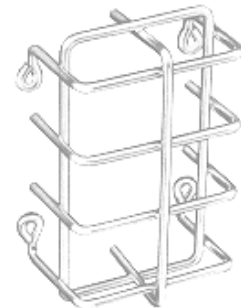
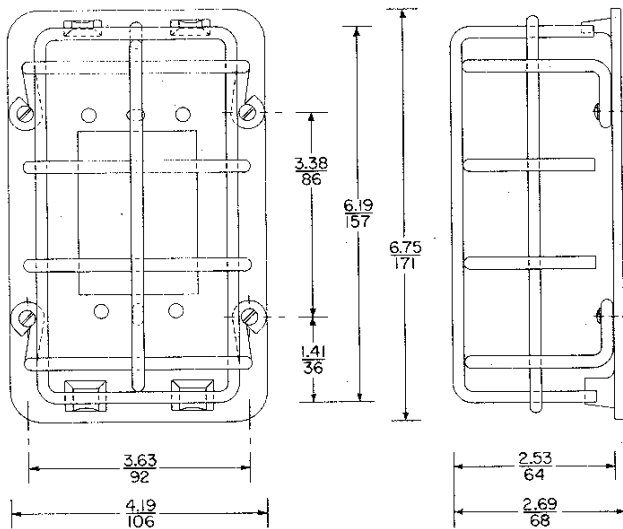
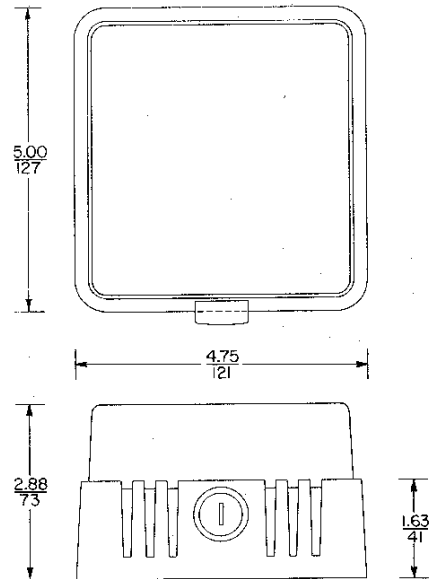


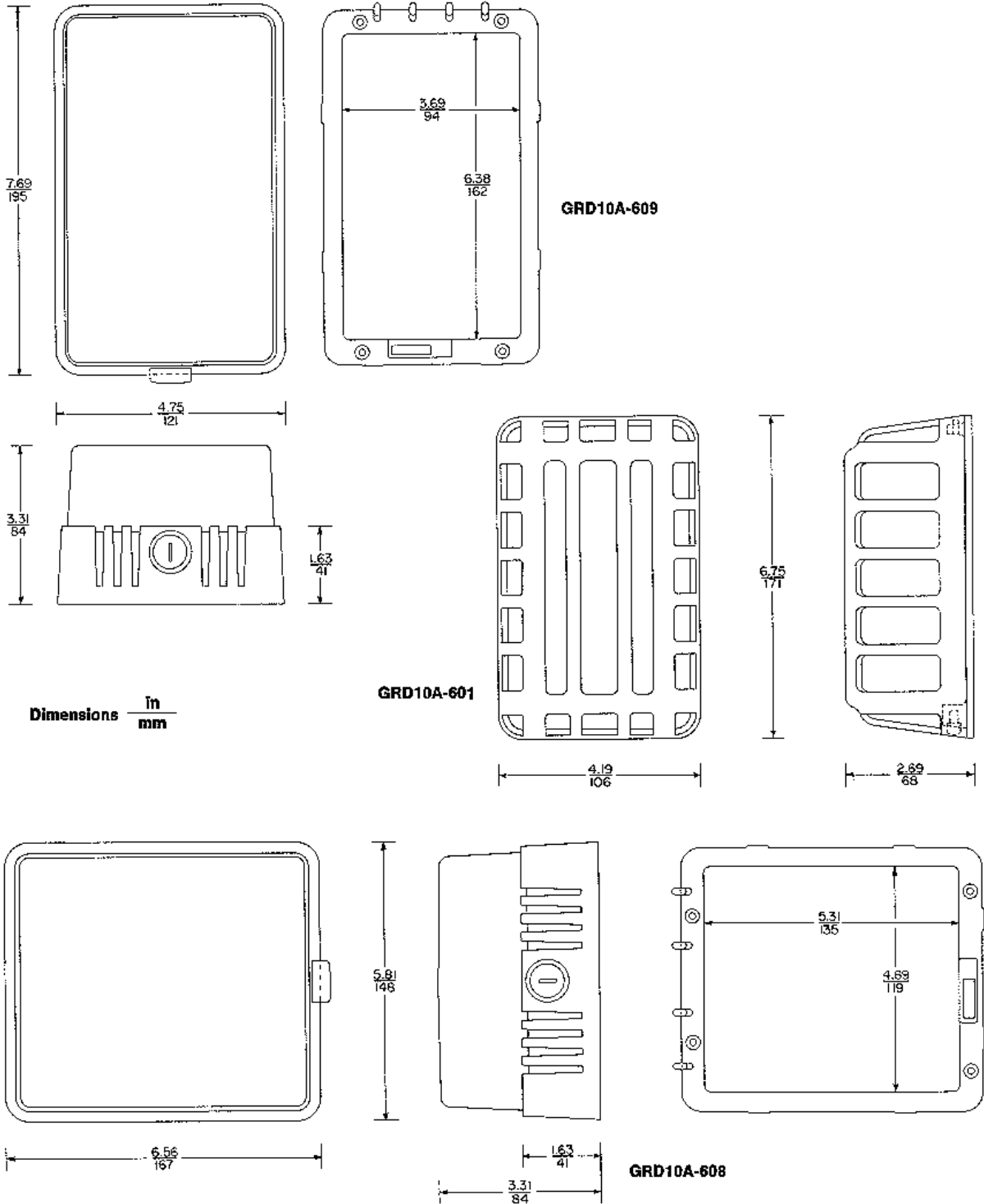
Fig. 5 – Wire guard fits most thermostats and humidstats. Guard is also supplied with cast aluminum baseplate.



GRD10A-600



GRD10A-606



Performance specifications appearing herein are nominal and are subject to accepted manufacturing tolerances and application variables.

Notes



Controls Group
507 E. Michigan Street
P.O. Box 423
Milwaukee, WI 53202

Printed in U.S.A.