



T900 Unistat Series Thermostat

The Unistat series offers exceptional value and versatility in most room and supply temperature control applications. By combining advanced PI control algorithms with microprocessor based electronics, it is possible to provide precise temperature control that rivals DDC performance at prices most often associated with electro-mechanical or pneumatic controls.

Installation and troubleshooting is very simple since there is no programming involved. The various parameters are adjusted by simply setting the internal dipswitches to the appropriate position. Models are available with one or two outputs, which covers most room control applications. In addition, further energy savings can be achieved by using day / night models. All models are shown in the table below:

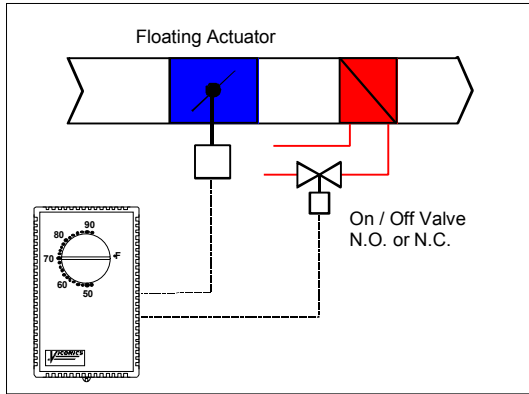


Models	Main Output:	Second Output:
T901D	On / Off 24 Vac	
T920D	0 to 10 Vdc	
T921D	Analog 0 to 10 Vdc	On / Off 24 Vac
T926D	Analog 0 to 10 Vdc	Analog 0 to 10 Vdc
T950D	Modulating floating	
T951D	Modulating floating	On / Off 24 Vac

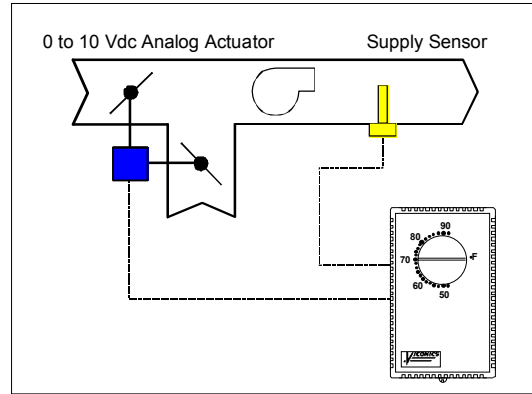
Features Benefits

• PI algorithm provides precise temperature control	⇒ Increased comfort and energy savings
• Available with one or two outputs	⇒ Meets most room temperature control applications
• Dipswitch adjustable. Parameters such as actuator timing, direct/reverse acting, deadband, etc are easily set using internal dipswitches	⇒ Saves installation and troubleshooting time
• Available with day/night mode	⇒ Additional energy savings can be realized
• Models with proportional outputs contain minimum and maximum output adjustments	⇒ Permits the adjustment of minimum and maximum positions in VAV and outdoor air damper applications
• Remote sensor capability	⇒ Adds versatility and minimizes models to stock
• Models for VAV applications can perform heating/cooling changeover	⇒ Suitable for VAV systems that use both hot and cold air through the box

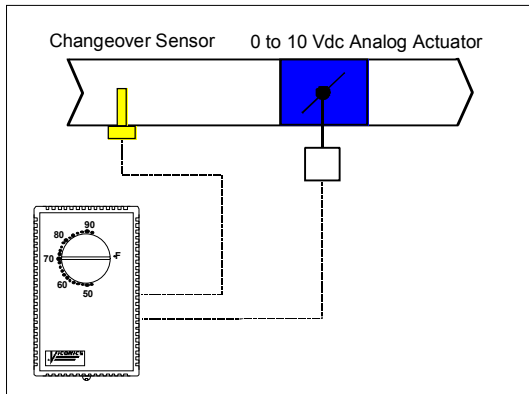
Typical Applications:



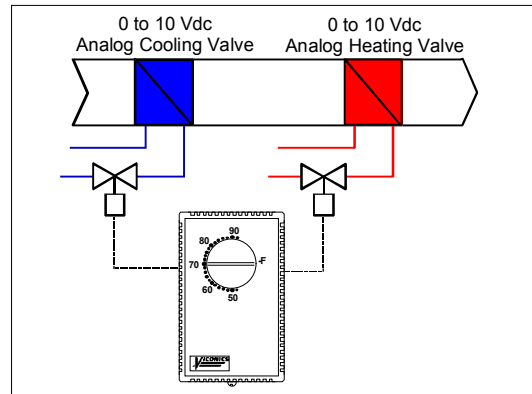
T951 VAV with on / off reheat



T920 Mixed air control

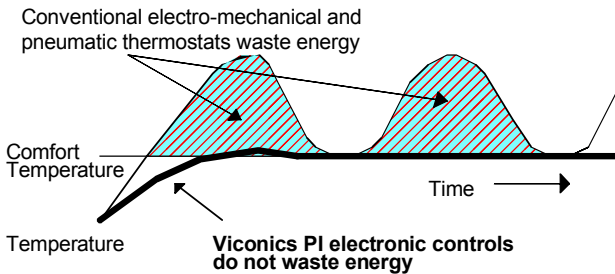


T920 VAV damper control with changeover



T926 Heating and cooling valves

Increased Energy Savings



Advanced PI control algorithms provide precise temperature control and eliminated wasted heating or cooling energy caused by the typical On-Off cycling in conventional thermostats. As a result the room occupant is able to adjust the setpoint or desired temperature to the optimum comfortable setting. The result is 5% to 10% energy savings with improved comfort.

Specifications

Operating Conditions:	0 °C to 50 °C (32 °F to 122 °F) 0 % to 95 % R.H. non-condensing
Thermostat Sensor:	Local 47 K NTC thermistor
Resolution:	± 0.1 ° C (± 0.2 ° F)
Accuracy (Typical, Calibrated):	± 0.2 ° C (± 0.4 ° F)
Scales:	10 °C to 32 °C or 50 °F to 90 °F for vertical mounting
Outputs:	Isolated Triac: 30 Vac at ½ A max. & 0 to 10 Vdc into 2KΩ min.
Power:	24 VAC -15%, +10% 50/60 Hz; 2 VA

Specifications and equipment are subject to change without prior notice

Viconics Electronics Inc.
9245, Langelier Blvd, St-Leonard, Quebec, Canada H1P 3K9

www.viconics.com
sales@viconics.com