



Introducing a Cost Effective Fan Coil Unit Thermostat Retrofit Solution

For commercial and hospitality markets

Traditionally, upgrading an existing fan coil unit controlled by a line-voltage thermostat was considered as an expensive option with poor return on investment. Extra components to upgrade, such as relays, transformers, controllers, sensors and network wiring, caused proposals to be quickly dismissed. This left the fan coil units to be controlled by stand-alone thermostats with no capacity for energy optimization. Features available such as, set point limitations, advanced occupancy routines and other functions offered by central automation systems were simply not an option.

Now, a new cost effective solution is available for upgrading line-voltage fan coil unit thermostats! The new Viconics fan coil unit solution requires installation of only two components: The VTR7300 terminal equipment controller and the VC3000 relay pack. This allows reuse of existing line-voltage wiring between the fan coil unit and temperature controller thereby reducing overall costs, labor and installation time for both retrofit and new construction control projects.

The VC3000 relay pack features an onboard universal voltage power supply and line-voltage relays which directly drive fractional horsepower fan motors and valves. This eliminates the need to install and wire costly pilot relays and transformers. The VTR7300 wall mounted controller features a digital display and built-in commissioning and configuration utility, temperature sensor and optional humidity and passive infra red occupancy sensor (PIR). No previous building automation training is required for the easy installation and commissioning process, which can be completed in about fifteen minutes, reducing overall installation time and providing increased savings.

The VTR7300 terminal equipment fan coil unit controllers are available as stand-alone, Network Ready, BACnet® MS/TP or wireless ZigBee® networked models. The stand-alone Network Ready models can be easily retrofitted on-site with our network communication modules for BACnet® MS/TP or wireless ZigBee® protocols. The wireless ZigBee® communication adapter allows for data exchange and connectivity into the Niagara AX™ software framework and development environment. The Viconics stand-alone network-ready controllers allow for easy expandability which ensures longevity and the possibility for future system upgrades.

For more information on this and other Viconics control solutions, please visit us at www.viconics.com

VTR7300 Series Fan Coil
Terminal Equipment Controller



Line-voltage
Switching
Relay Pack



www.viconics.com

Product Highlights:

VTR7300 Series Fan Coil Terminal Equipment Controllers includes:

- Suitable for commercial and hospitality markets and systems
- Available as a stand-alone unit with Network Ready functionality
- Available with ZigBee® wireless mesh network or BACnet® MS-TP communication module
- Humidity sensor with on-board dehumidification strategy (Model dependent)
- Available with optional or factory installed passive infra red (PIR) occupancy sensor cover
- Advanced occupancy functions for commercial and lodging applications
- Available with optional wireless door and window switches (compatible with wireless communicating models only)
- Configurable fan sequence operation
- On board configuration interface utility

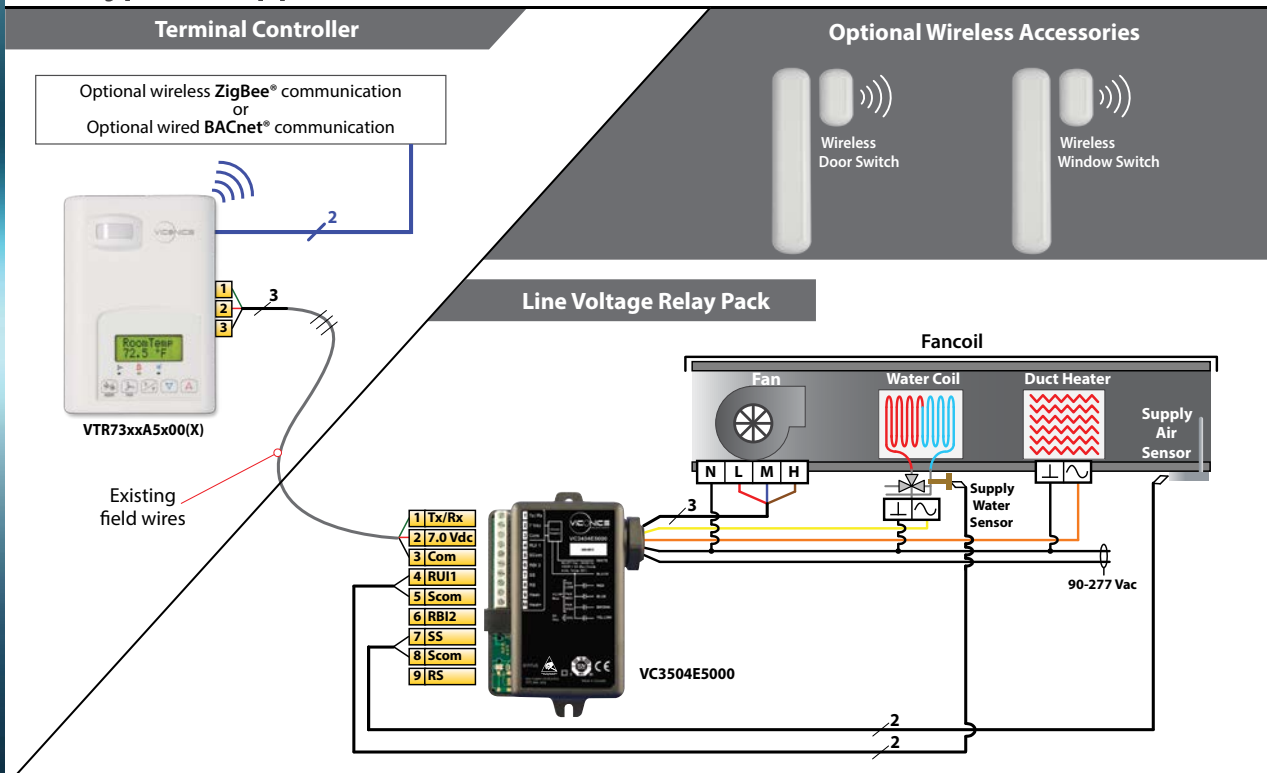
Product Highlights:

VC3000 Series Line-voltage Switching Relay Pack includes:

- Extremely compact design
- Line powered from 90 to 277 VAC 50-60 Hz
- Wire-leads for line-voltage connections
- Direct line switching of fan speed and valves
- Directly switches single phase electric resistive heater up to 10 Amps
- Dedicated supply air sensor for monitoring (Model dependent)
- Dedicated return air sensor for control (Model dependent)
- Two extra monitoring binary inputs (Model dependent)
- Extra SSR output for low cost electric heat modulation (Model dependent)

NOTE: Please visit www.viconics.com for more information on product model selection

Typical Application



Viconics Technologies Inc.

9245 Langelier Blvd., St-Leonard | Quebec, Canada | H1P 3K9 | Tel.: (514) 321.5660 | Fax: (514) 321.4150
sales@viconics.com | ISO 9001 & ISO 14001 certified systems