

**DESCRIPTION**

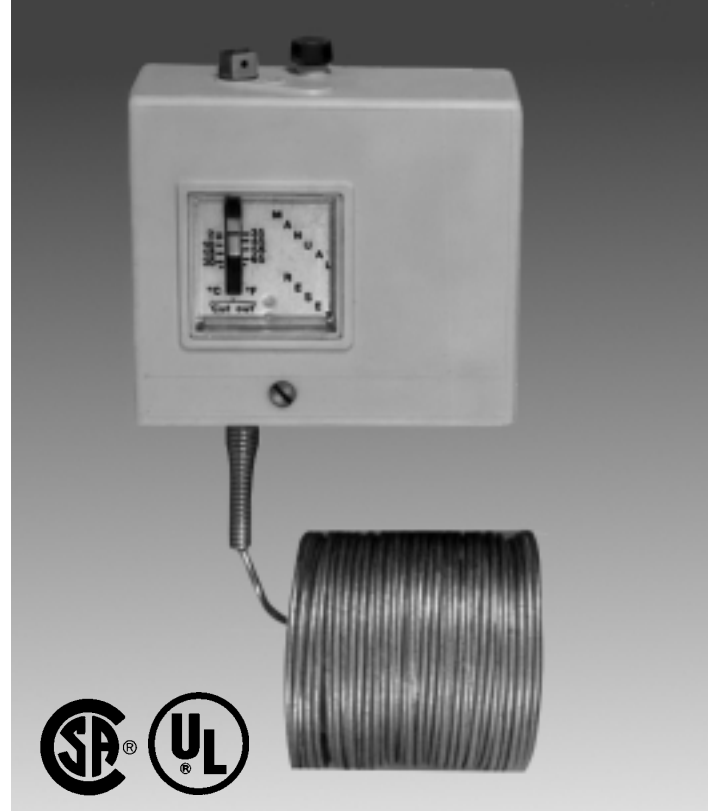
The CTE-3006 and 3007 are designed for use on HVAC equipment requiring low-temperature control and/or indication.

Available in both manual or automatic reset versions, the units are responsive to the lowest temperature sensed along any 1 foot length of the 20 foot long element. Setpoint indication is visible through the front cover and adjustments are made from the top. Both models have a manual test lever for testing.

The CTE-3006 is an automatic reset version and will automatically reset when the sensed temperature rises 5° above setpoint. The CTE-3007 is a manual reset and cannot be reset until the sensed temperature is at least 5° above setpoint.

**SPECIFICATIONS**

<b>Range</b>	35°F to 68°F (1.7°C to 20°C)
<b>Differential</b>	4.5°F fixed (2.5°C)
<b>Switch Action</b>	SPDT, 1-4 opens on fall, 1-2 closes on fall
<b>Element</b>	20' (610 cm) tin plated copper capillary; maximum temperature 300°F (149°C)
<b>Ambient Limits</b>	
Operating	-60°F to 160°F (-51°C to 71°C)
Shipping	-60°F to 160°F (-51°C to 71°C)
<b>Electrical Ratings</b>	
Inductive	24 F.L.A. @ 120 VAC, 240 VAC; 144 L.R.A. @ 120 VAC, 240 VAC, 2 HP @ 120 VAC, 3 HP @ 240 VAC
Non-inductive	24 amps @ 120 to 240 VAC
<b>Pilot Duty</b>	720 VA, MAX. @ 120 to 600 VAC 144 VA, MAX. @ 24 VAC
<b>Accessories</b>	HMO-4512: Mounting bracket HMO-4523: Capillary clip
<b>Approval Listings</b>	U.L., C.S.A.
<b>Weight</b>	1.0 lbs. (.45 kg)



**MODELS**

- CTE-3006 .....Automatic reset
- CTE-3007 .....Manual reset

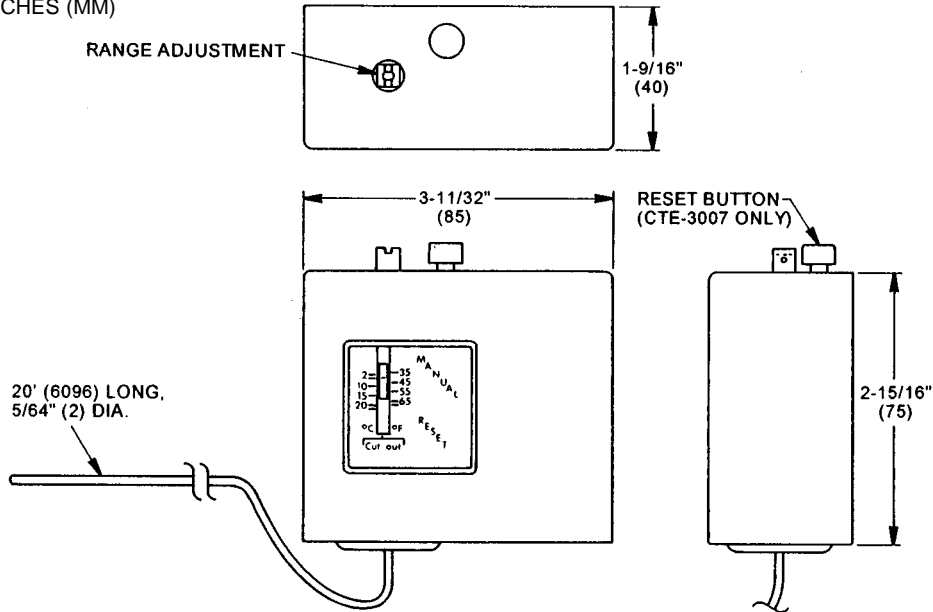
**ORDERING**

**Specify:** Model Number, accessory number if required  
**Order From:** Local KMC Controls dealer or,  
KMC Controls, Kreuter Manufacturing Co., Inc.

Specifications and design are subject to change without notice.

## DIMENSIONS

DIMENSIONS IN INCHES (MM)

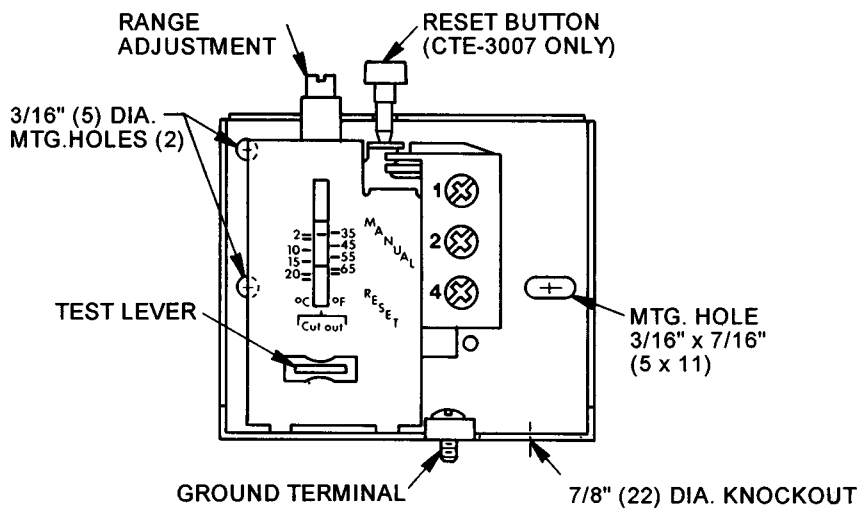
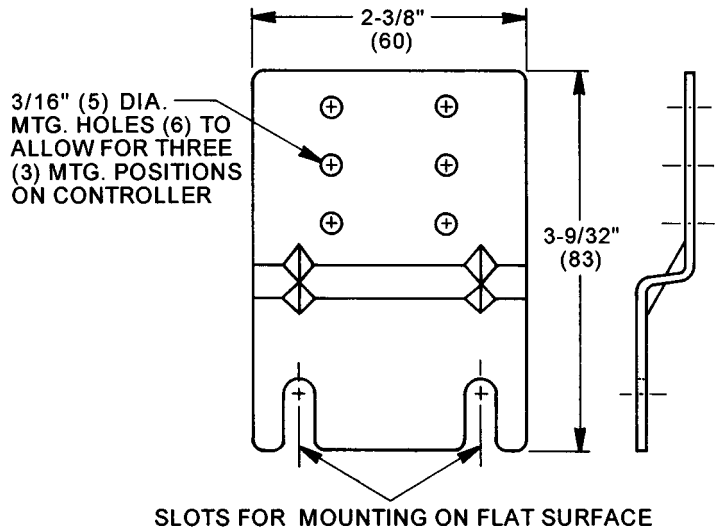


## INSTALLATION-CALIBRATION

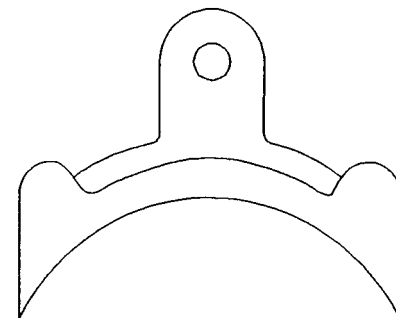
In the drawing below, the cover is removed to show three mounting holes allowing the case to be mounted flush against ductwork or any flat surface. An optional offset mounting bracket HMO-4512 (right) may also be used. It has three locations for mounting on the controller above or below the device. The capillary clip HMO-4523 is also shown.

The sensing capillary should be installed in a horizontal serpentine fashion across the leaving side of a water coil and supported at enough points to prevent damage from vibration and/or air movement.

Adjust the setpoint by turning the range adjustment screw in a clockwise direction to decrease setpoint. The indicated setpoint is the temperature at which contacts "1" and "4" will open on a fall in sensed temperature.



**HMO-4523  
CAPILLARY CLIP**



## MAINTENANCE

No routine maintenance is required. Each component's design and material selection assures dependable long-term reliability and performance. Careful installation will also enhance long-term reliability and performance.