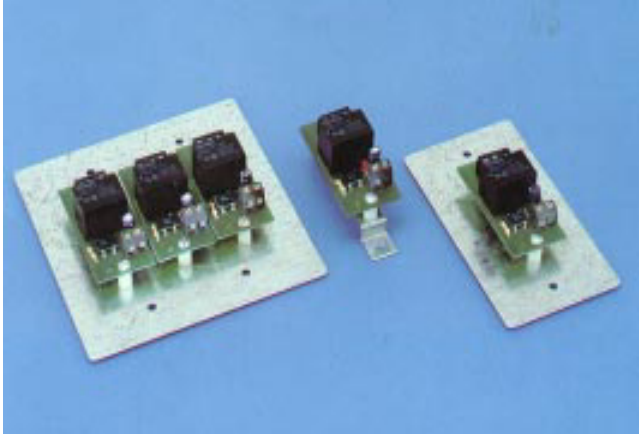


# Pilot Relay

## Model RE-440



- UL listed and CSA approved pilot duty relay
- Available in three packaging options for ease of installation
- SPDT contact arrangement to switch a normally open or normally closed load
- Rated at 5 amps 24/120 VAC
- Low current draw to eliminate inrush related problems
- LED indication provided on all three packaging options
- Universal 24 VAC/VDC energizing voltage

The RE-440 Pilot Relay is designed to interface low level control signals to starters and contactors. The Relay will accept 24 VAC or 24 VDC universal input. In this way, the same Relay can be used for either input voltage. Relay is UL listed and CSA approved to switch 5 amps at 24/120 VAC. The Relay has SPDT contact arrangement to switch a normally open or normally closed load. High inrush current can generate spikes not only causing problems with the controller, but also noise on other analog input lines. RE-440 has a high resistance, low current coil to eliminate any inrush related problems.

The most unique feature about the RE-440 is the packaging options available. Other relays not only require expensive sockets and mounting hardware, but also require a deep enclosure due to the height of the relay. Also, if the relay is mounted horizontally, the mechanical shock generated by motor starters/contactors can loosen the relay from its socket causing intermittent problems and rust/corrosion build up within the base. RE-440 Relay does not require a socket or mounting hardware and is immune to mechanical shock or corrosion related problems.

RE-440-1 can be easily installed in a panel with the bracket provided. The overall size of the Relay is such that it occupies minimum space and, if necessary, can

be snapped into an industry standard 3<sup>1</sup>/<sub>4</sub>" snap-track. An LED indication is provided to signal the status of the contacts.

RE-440-2 comes mounted on a cover which fits an industry standard 2" x 4" junction box. In this way, for applications which require a relay at the equipment, a standard "handybox" can be used for the conduit connection and the RE-440-2 can function as a cover. This feature significantly reduces the installation time and cost. The unit has a window for the LED indicator and once installed, the indicator may be viewed from the outside to verify the status of the Relay.

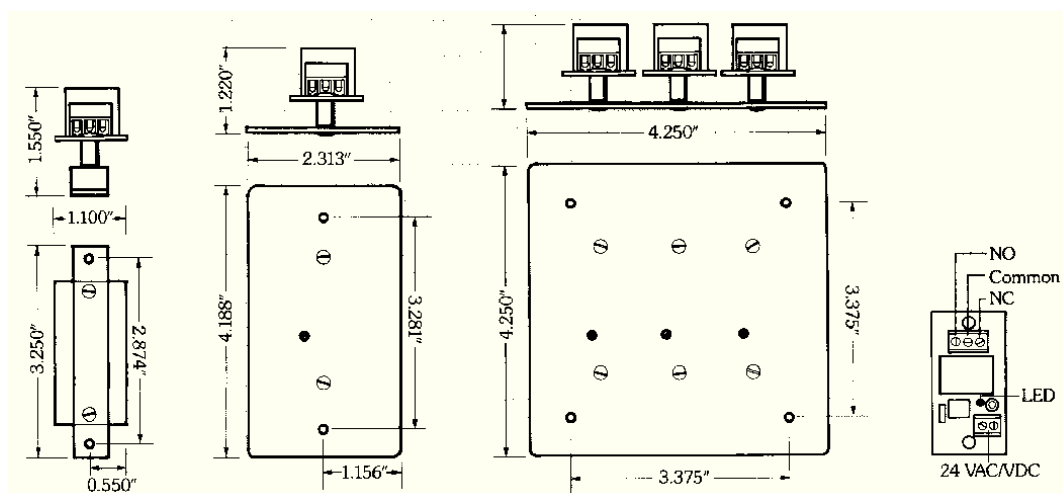
For applications which require three relays at a remote location, an example being a small packaged air handler, the RE-440-3 has three independent relays mounted on a cover which fits a 4" x 4" junction box. This allows all three control points to be interfaced to the controller with minimum installation labor. RE-440-3 also has all three indicators visible from the outside to verify the status.

With a universal 24 VAC or 24 VDC input, SPDT contact arrangement, LED indication, extremely small size, terminal strips, and three packaging options, the RE-440 is the most economical and versatile pilot duty relay available to interface digital outputs to loads.



**MAMAC SYSTEMS**<sup>®</sup>  
MONITOR • DECISION • CONTROL

# RE-440



## SPECIFICATIONS:

**Coil Voltage:** 24 VAC or 24 VDC  
**Coil Current:** 10 mA (0.24 VA)  
**Max Coil Voltage:** 29 VDC  
**Min Pull-in Voltage:** 18 VDC  
**Contact Arrangement:** SPDT  
**Contact Rating:** 5 amps 24/120 resistive  
**Contact Material:** AgCdO

**Indicator:** Light emitting diode  
**Termination:** Screw terminals  
**Approvals:** UL listed, CSA approved  
**Operating Temperature:** -40¼ to + 169¼ F  
**Humidity:** 90% non-condensing  
**Weight:** RE-440-1=1.7 oz.; RE-440-2=3.8 oz.;  
RE-440-3=8.2 oz.

## ORDERING INFORMATION:

RE-440

PACKAGING

- 1) One Relay, Panel Mount
- 2) One Relay, 20 x 40 Junction Box
- 3) Three Relays, 40 x 40 Junction Box

The MAMAC Systems warranty covers parts and labor for 2 years from date of shipment.

MAMAC Systems reserves the right to change any specifications without notice to improve performance, reliability, or function of our products.

## A Complete Line of Control Peripherals From a Single Source

MAMAC Systems is the only manufacturer offering more than fifty products to satisfy all temp, humidity, pressure, flow, light, speed or any other DDC controls application. MAMAC's complete line of control peripherals is available in over two thousand different configurations of supply voltage, output, range and enclosure type to make our products guaranteed compatible to all HVAC controls, industrial automation and COGEN systems worldwide.

Single source accountability, liberal 2 year warranty, worldwide service and technical support, competitive pricing, accumulated experience of more than 10,000 installations are some of the benefits offered by MAMAC Systems which are second to none in the HVAC DDC controls industry.



# MAMAC SYSTEMS

MONITOR ¥ DECISION ¥ CONTROL

7400 Flying Cloud Drive Minneapolis, MN 55344-3720 ¥USA  
800/843-5116 ¥ 612/835-1626 ¥ FAX 612/829-5331  
sales@mamacsys.com ¥ www.mamacsys.com

Units 6&7 Baird House ¥ Dudley Innovation Centre  
Pensnett Estate ¥ Kingswinford  
West Midlands ¥ DY6 8XZ ¥ United Kingdom  
01384-271113 ¥ FAX 01384-271114

4 Armiger Court, Unit 2  
Holden Hill ¥ S. A. 5088 ¥ Australia  
08-8395-4333 ¥ Fax 08-8395-4433

155 McIntosh Drive, Unit 5 ¥ Markham  
Ontario ¥ L3R 0N6 ¥ Canada  
905-474-9215 ¥ Fax 905-474-0876

5611 North Bridge Road  
03-06 ¥ Eng Cheong Tower  
Singapore ¥ 198782  
65-3927273 ¥ FAX 65-3927276

Registered Trademark MAMAC SYSTEMS, Inc.