

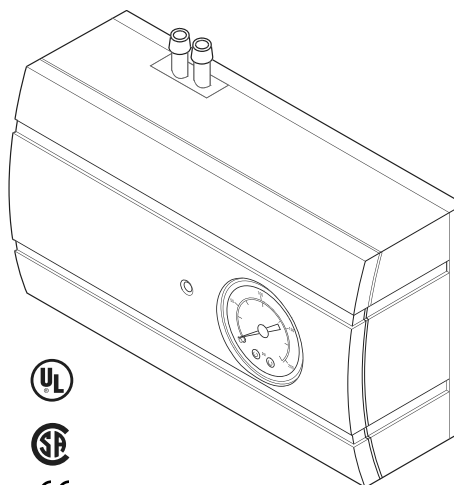
# CP-8511-xxx Series

## Electronic to Pneumatic Transducer

The CP-8511 transducer receives a variable electronic input signal and produces a 3 to 15 psig (21 to 103 kPa) pneumatic output signal to position pneumatic damper and valve actuators in HVAC systems.

### Features:

- Durable enclosure with easily accessible wiring terminations.
- Panel or DIN rail mounting for quick, snap-on installation.
- High accuracy with low hysteresis.
- Long-term driftless operation with high repeatability.
- Low air consumption and large air flow capacity.
- Field selectable input ranges.
- Integral +20 Vdc power output for auxiliary components.
- Factory installed branch pressure gauge
- Integral auto/manual override feature with indication.
- BAS indication of auto/manual override.



Model Chart					
Model No. <sup>a</sup>	Field Selectable Input Range	Input Impedance Ohms	Output Range	Field Selectable Action <sup>b</sup>	Power Requirements
CP-8511-024	4 to 20 mA <sup>c</sup>	250	3 to 15 psig <sup>d</sup> (21 to 103 kPa)	D.A. or R.A.	20 to 30 Vac, 24 to 30 Vdc, 3.8 W
	1 to 5 mA	1000			
	6 to 9 V	> 10,000			
	1 to 5 V				
	0 to 10 V				
	1 to 11 V				
	2 to 10 V				

<sup>a</sup> CAUTION: This product contains a half-wave rectifier power supply and must not be powered off transformers used to power other devices utilizing non-isolated full-wave rectifier power supplies. Refer to EN206 F-26363.

<sup>b</sup> D.A. = Direct acting, branch pressure rises as input increases.  
R.A. = Reverse acting, branch pressure falls as input increases.

<sup>c</sup> Factory configured as 4 to 20 mA<sub>dc</sub>.

<sup>d</sup> A maximum of 18 psig output is available when the zero potentiometer is increased to 6 psig.

Specifications	
<b>Inputs</b>	Refer to Model Chart.
<b>Adjustments</b>	
<b>Calibration</b>	Potentiometer for adjusting mid-range branch pressure.
<b>Action</b>	By pin selection, refer to Model Chart.
<b>Power requirements</b>	Refer to Model Chart.
<b>Power supply</b>	Requires 20 to 30 Vac, 50/60 Hz, or 24 to 30 Vdc power supply, 3.8 watts maximum.
<b>Rectifier type</b>	Half wave, not isolated.
<b>Air supply required</b>	20 psig (138 kPa) nominal, 30 psig (207 kPa) maximum. Clean, dry, oil free air required (reference EN-123, F-22516).

**Specifications (Continued)**

<b>Air consumption for sizing air compressor</b>	Maximum 0.012 scfm (5.66 ml/s).
<b>Air capacity for sizing air mains</b>	550 scim (150.24 ml/s).
<b>Air connections</b>	Male barbed fittings for flexible 1/4" O.D. pneumatic tubing.
<b>Wiring connections</b>	Screw terminals for use with 16 to 22 AWG wire.
<b>Outputs</b>	3 to 15 psig (21 to 103 kPa).
<b>Maximum pneumatic output</b>	1 to 18 psig (7 to 124 kPa).
<b>Action</b>	Refer to Model Chart.
<b>Output air capacity &amp; pressure</b>	515 scim (141 mL/s) with a 20 psig (138 kPa) supply.
<b>Operating characteristics</b>	
<b>Linearity</b>	±1% of span @ 75°F (24°C).
<b>Hysteresis</b>	0.75% of span @ 75°F (24°C).
<b>Adjustments</b>	Field adjustable zero potentiometer.
<b>Auxiliary power supply</b>	+20 Vdc @ 50 mA (maximum).
<b>Auto/manual feedback</b>	Isolated open collector output transistor.
<b>Auto/manual status</b>	Green LED.
<b>Pressure gauge accuracy</b>	Within 2% of total scale range in middle portion of scale and 3% elsewhere (ANSI Class B).
<b>Environment</b>	
<b>Ambient temperature limits</b>	Shipping and storage: -40 to 160°F (-40 to 71°C). Operating: 32 to 140°F (0 to 60°C).
<b>Humidity</b>	5 to 95% RH, non-condensing.
<b>Locations</b>	NEMA Type 1.
<b>Mounting</b>	Upright position. Unit is provided with section of plastic track for panel mounting. AD-8912 enclosure can be ordered separately for remote installations.
<b>Dimensions</b>	4-1/4 H x 5 W x 2-5/32 D in. (108 x 127 x 55 mm).
<b>Agency Listings</b>	
<b>UL</b>	UL-873, Underwriters Laboratories.
<b>European Community</b>	EMC Directive (89/336/EEC). Emissions (EN50081-1). Immunity (EN61000-6-2).
<b>CSA</b>	Canadian Standards C22.2 No. 24-93.
<b>General Instructions</b>	Refer to F-26205.

**Accessories**

Model No.	Description
K-335	In-line air filter.
P-610	35 mm DIN rail (1-3/8 W x 36 L x 3/10 H in.).

**Typical Applications**

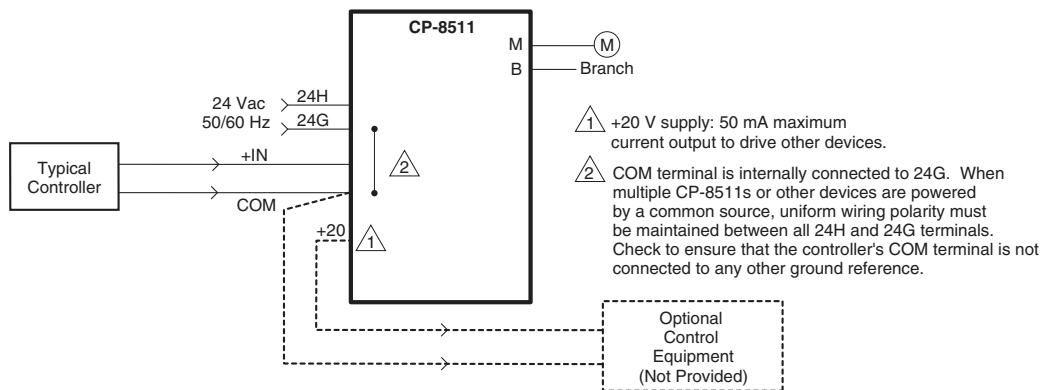


Figure 1 Typical CP-8511 Wiring with Optional +20 Vdc Supply.