



Series  
EPTA

# Electro-Pneumatic Transducer

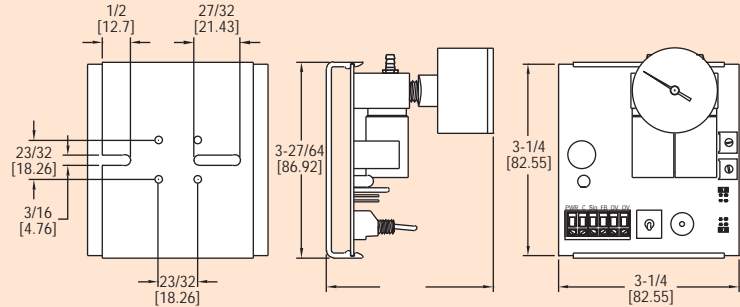
Low Cost, Selectable Input/Output, Manual Override



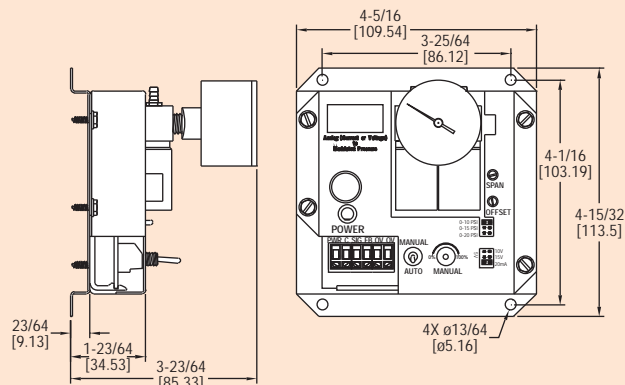
EPTA-B



EPTA-S



SHOWN WITH SNAP-TRACK MOUNTING



SHOWN WITH METAL BRACKET MOUNTING

The Series EPTA is an electric to pneumatic transducer that converts an analog input signal to a linearly proportionate pneumatic output by modulating its control valves to regulate branch line pressure to the set point determined by the input signal. All models incorporate two low voltage valves, an integral in-barb filter, a 0 to 30 psi analog gauge, an anodized aluminum manifold, and brass barbed fittings. The EPTA offers adjustable span and offset as well as manual override. This unit has no air consumption and is immune to mounting orientation. Output pressure ranges include field selectable 0 to 10, 0 to 15, and 0 to 20 psig. Also included is an analog 0 to 5 VDC feedback signal indicating the resultant branch line pressure. Universal 24 VAC/24 VDC supply voltage and field selectable 4 to 20 mA, 0 to 5 VDC, 0 to 10 VDC, or 0 to 15 VDC inputs ensure single unit compatibility with most systems. The standard models maintain branch pressure on power loss while the Fail-Safe models will drop the branch pressure to 0 psi on power loss. Mounting configurations include a metal bracket mount in the EPTA-B models and a snap-track mount in the EPTA-S models. The A-400 accessory kit will allow the EPTA-S models to be mounted on a standard DIN rail.

## SPECIFICATIONS

**Service:** Clean dry air or any inert gas.

**Input Signal:** DC Current (4-20 mA) or DC Voltage (0-5/0-10/0-15).

**Input Impedance:**

Current: 250 ohms.

Voltage: Infinite.

**Output Signal:** Jumper selectable 0-10 psig (0-69 kPa), 0-15 psig (0-103 kPa), or 0-20 psig (0-138 kPa).

**Feedback Output:** 0 to 5 VDC.

**Air Supply:** 25 psig (172 kPa) maximum.

**Air Flow:** 750 scim.

**Air Consumption:** 0 scim normal operation, Fail-Safe model vents to 0 psi on power loss.

**Accuracy:**

±1.0% Full Scale @ room temperature.

±2.0% Full Scale @ 32 to 120°F (0 to 48.8°C).

**Supply Voltage:** 24 VDC (+10%/-5%) or 24 VAC (±10%) 50/60 Hz.

**Supply Current:** 180 mA maximum, 200 mA maximum on Fail-Safe model.

**Temperature Limits:**

Operating: 32 to 120°F (0 to 48.8°C).

Storage: -20 to 150°F (-6.7 to 65.6°C).

**Operating Humidity Range:** 5 to 95%, non-condensing.

**Pressure Connections:** 1/4" O.D. (polyethylene tubing optimum).

**Electrical Connections:** Plug-in Block Terminal type with 5mm pin spacing.

**Wire Size:** Up to one 14 AWG per terminal.

**Weight:** EPTA-S0: 6.9 oz. (196 g), EPTA-S1: 9.2 oz. (261 g), EPTA-B: 14.5 oz. (411 g).

Model No.	Description
EPTA-S0	Standard Snap-Track Mount Transducer
EPTA-B0	Standard Metal Bracket Mount Transducer
EPTA-S1	Snap-Track Mount Transducer with Fail-Safe
EPTA-B1	Metal Bracket Mount Transducer with Fail-Safe

## ACCESSORIES

**A-400,** DIN Mounting Kit

**A-403,** Replacement Integral Barb Filter