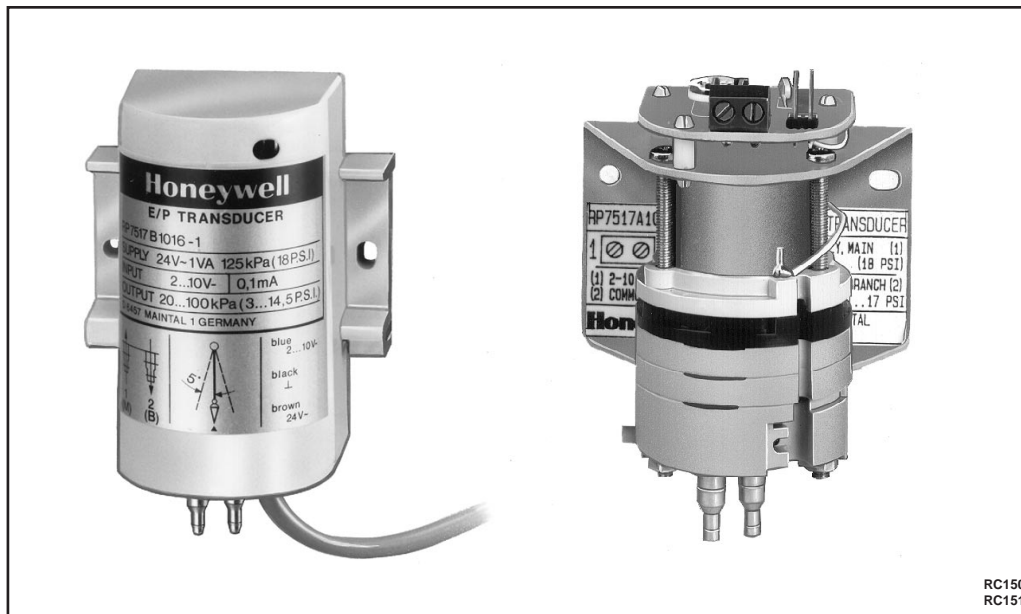


RP7517A, B Electronic-Pneumatic Transducers

SPECIFICATION DATA



GENERAL

The RP7517A, B Electronic-Pneumatic Transducers are used in electronic-pneumatic control systems to convert a proportional electric output signal from a controller into a direct-acting, proportional pneumatic signal.

The RP7517A is powered by the control signal. It is available with a cover or without a cover for panel mounting (the panel model has a higher pressure output than the cover model and is approximately equal to the RP7517B in branchline buildup).

The RP7517B (used with Excel) has an internal amplifier and requires a lower current control signal. It is available with a cover or without a cover for panel mounting.

FEATURES

- Screw mounting or snap rail (models with cover)
- Factory calibrated
- Dual barb fittings
- High accuracy



DESCRIPTION

The RP7517A, B Electronic-Pneumatic Transducers are used in electronic-pneumatic control systems to convert a proportional electric output signal from a controller into a direct-acting, proportional pneumatic signal.

The RP7517A is powered by the control signal. It is available with a cover or without a cover for panel mounting (the panel model has a higher pressure output than the cover model and is approximately equal to the RP7517B in branchline buildup). The RP7517B (used with Excel) has an internal amplifier and requires a lower current control signal.

SPECIFICATIONS

Models:

- RP7517A1009: 2-wire, with cover, without internal amplifier. Typically used with DeltaNet MicroCel™ and MicroniK 100.
- RP7517A1017: 2-wire, without cover, without internal amplifier, higher pressure buildup than the RP7517A1009. Typically used with R7044D, E.
- RP7517B1016: 3-wire, with cover, with internal amplifier. Typically used with Excel, R7044A-E, EXCEL 5000™ system applications.
- RP7517B1024: 3-wire, without cover, with internal amplifier. Typically used with Excel, R7044A-E, EXCEL 5000™ system applications.

Ambient Operating Limit:

Temperature: 41 to 131F (5 to 55C)
 Humidity: 5 to 95% rh
 Storage: -22 to 158F (-30 to 70C)

Power Supply:

RP7517A: None
 RP7517B: 24V, +10% -15%, 50/60 Hz

Power Consumption:

RP7517A1009: 16 mA at 12V dc
 RP7517A1017: 16 mA at 11.5V dc
 RP7517B1016: 1.7 VA

Input Signal:

RP7517A: 2 to 10V dc
 RP7517B: 2 to 10 dc (up to 0.1 mA)

Mounting:

Models with covers have snap (DIN) rail capability

Output Pressure:

Model	Nominal Range psi (kPa) at 2 to 10V dc	Nominal Low End psi (kPa) at 0V dc	Nominal High End psi (kPa) with 18 psi (125 kPa) Main Pressure
RP7517A1009	3 to 15 (20 to 103)	0.5 (3.5)	16.0 (110.0) at 12V dc
RP7517A1017			17.0 (117.2) at 12V dc/16.0 (110.0) at 11V dc (min)
RP7517B1016			
RP7517B1024			

NOTE: Excel 500, 100, and 80 provide a maximum of 11V dc output to the transducer.

Main Air Pressure:

18 psi (125 kPa)

Maximum Safe Air Pressure:

29 psi (200 kPa)

Air Consumption:

0.025 scfm (11/7 ml/s)

Air Capacity:

0.45 scfm (211 ml/s)

Air Connections:

Dual barb-fittings for:
 1/4-in. (6-mm) O.D.
 or
 5/32-in. (4-mm) O.D. polyethylene tubing

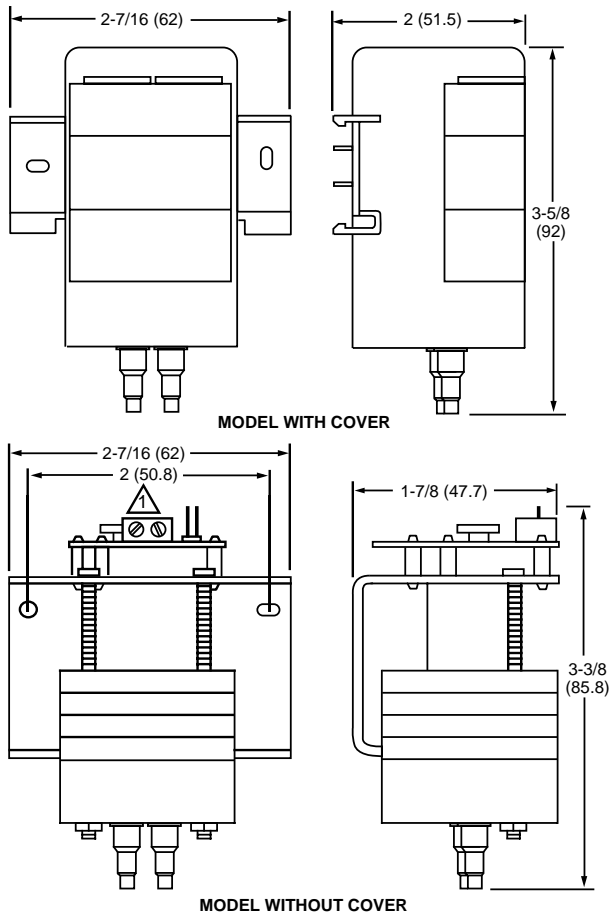
Electrical Connections:

RP7517A1009: 30-in (762-mm) lead wires
 RP7517A1017: Screw terminals for 14 to 22 gage wire
 RP7517B1016: 30-in. (762-mm) lead wires
 RP7517B1024: Screw terminals for 14 to 22 gage wire

Calibration:

Factory calibrated
 NOTE: RP7517 must be mounted vertically within 5 degrees to maintain factory calibration.

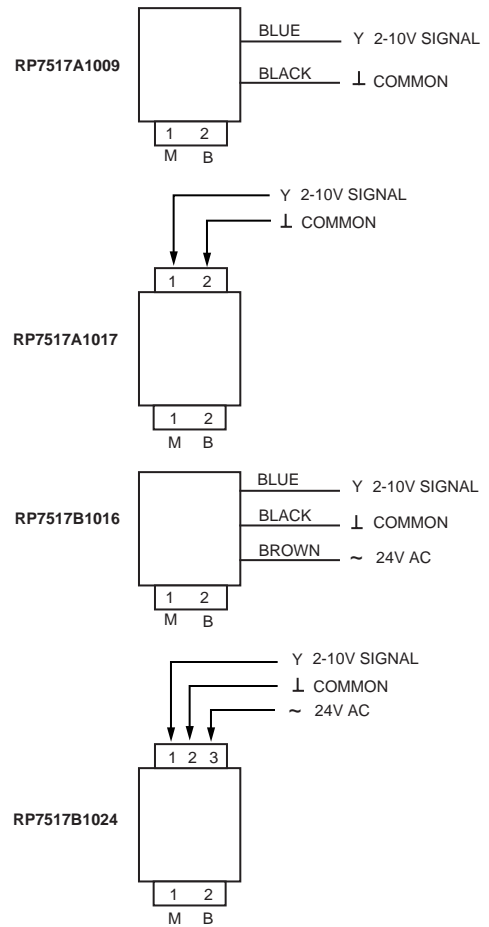
Dimensions In Inches (Millimeters):



⚠ 2 TERMINALS ON RP7517A1017
3 TERMINALS ON RP7517B1024

C5160-2

Wiring:



C5402-1

Home and Building Control

Honeywell Inc.
Honeywell Plaza
P.O. Box 524
Minneapolis MN 55408-0524

Honeywell Latin American Division

Miami Lakes Headquarters
14505 Commerce Way Suite 500
Miami Lakes FL 33016

Home and Building Control

Honeywell Limited-Honeywell Limitée
740 Ellesmere Road
Scarborough Ontario
M1P 2V9

Honeywell Europe S.A.

3 Avenue du Bourget
B-1140 Brussels Belgium

Honeywell Asia Pacific Inc.

Room 3213-3225
Sun Hung kai Centre
No. 30 Harbour Road
Wanchai
Hong Kong

Honeywell

