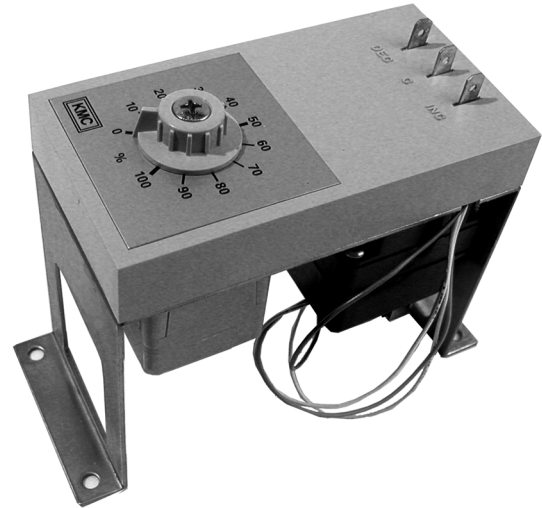


### Description

The YEC-1101 is used as an interface between energy management systems and pneumatic final control devices. The unit is designed to remotely position control valves and damper actuators, and reset receiver-controllers. The switch may be driven in either direction, by the application of a 24 VAC signal, to adjust a pneumatic output signal between 2 to 18 psi (14 to 124 kPa).

Applications include the remote positioning of control valves and damper actuators, and the reset of receiver-controllers. Visual indication is provided by the scale plate referencing the percentage of output being produced.



### Features

- ◆ Bidirectional action
- ◆ Adjustable signal 2 to 18 psi (14-124 kPa)
- ◆ Compact size

### Accessories

HFO-0120 Elbow fitting

### Specifications

**Main Air Pressure** 20 psig (138 kPa) normal, 30 psig maximum (207 kPa)

**Output Range** 2 to 18 psi (14 to 124 kPa)

**Air Consumption** 28.8 scim (7.87 mL/s)

**Connections** Air: 3/16" (5 mm) fittings for 1/4" (6 mm) O.D. Polyethylene tubing

Electrical: Push-on terminals, 1/4" (6 mm)

**Output Timing** 0.32 psi/sec (2.2 kPa/sec)

**Supply Voltage** 24 VAC +20%, -15%

**Supply Power** 2 VA @ 24 VAC

**Materials** ABS, UL flame Class 94HB

**Weight** 18 oz. (.45 kg)

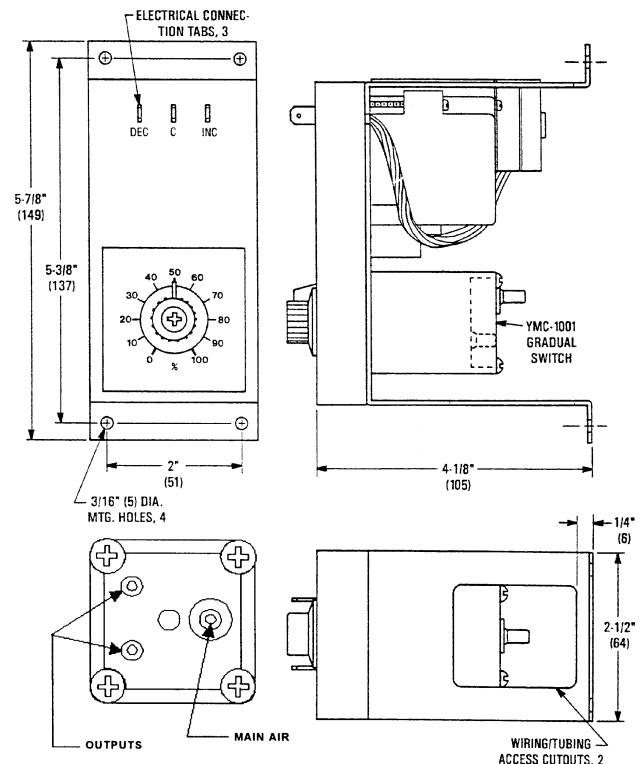
### Temperature Limits

Operating 40° to 120° F (4° to 49° C)

Shipping -40° to 140° F (-40° to 60° C)

### Details

All dimensions in inches (mm).



**KMC Controls, Inc.**  
 19476 Industrial Drive  
 New Paris, IN 46553  
 574.831.5250  
[www.kmcccontrols.com](http://www.kmcccontrols.com)