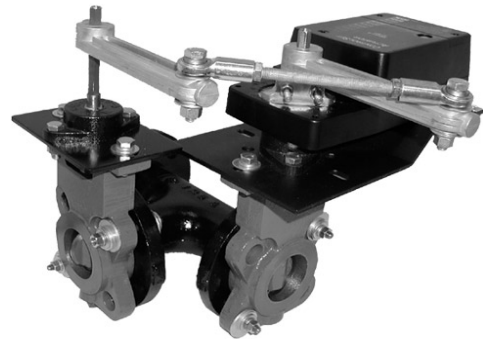


# Flanged Butterfly Valves (2 to 12")



## Description

The KMC VEP-558 Series Butterfly control valves are 2-way straight through for high capacity control in low-pressure hot water, chilled water, or steam applications. The metal-seated butterfly valve requires less actuator operating torque and should only be used where 1-3 percent leakage, in the closed position, is acceptable.

These valves are set for a full quarter-turn ( 90° rotation) for optimum flow characteristics. The valves come assembled in the normally closed position. The unique universal system of brackets and linkage allow for easy field changes of the action to normally open.



## Features

- ◆ Control actuators
- ◆ Self-adjusting packing
- ◆ Stainless steel stems
- ◆ Unique brackets and linkage that allow easy field changes

## Accessories

The following accessories and repair parts are available:

CME-7001	Single end switch
CME-7002	Dual end switch

Consult with factory when service conditions are higher than 50 psi and when optional valve materials or construction are required.

## Specifications

<b>Valve Size</b>	2"-12"
<b>Body Type</b>	ANSI 125 & 150 wafer style flange mating. All have 4 alignment holes.
<b>Flow Characteristics</b>	Linear
<b>Maximum Differential Pressure</b>	50 psi for water (35 psi for steam)

<b>Cv Rating @ 90%</b>	2"=90; 2-1/2"=194; 3"= 370; 4"=747; 5"=1272; 6"= 1999; 8"=3853; 10"=6361; 12"= 9164
------------------------	---

### Pressure Drop (PSI) @ 90° Rotation

2"=1.4; 2-1/2"=0.6; 3"=0.4; 4"=0.3; 5"-12"=0.2
---

### Material

Body	Cast Iron
Disc	Cast Iron
Seat	Swing through
Shaft	416 Stainless Steel
Bushing	Graphite Bronze
Packing	Graphite Teflon
Packing Nut	Brass

### Temperature Limits

Media	25° to 280° F (-4° to 138° C)
Ambient	0° to 120° F (-18° to 49° C)
Shipping	-40° to 140° F (-40° to 60° C)

Freeze protection required for fluid temperatures below 32°F (0° C).

**VEP-558XYZZZ**

X		Y		ZZZ	
Size	Value for "X"	Actuator Qty. & Size	Value for "Y"	Actuator (Choose one)	Value for "ZZZ"
2"	1	One (1) 100 in-lb or 150 in-lb actuator	1	100 in-lb MEP-1262, 2 to 10 VDC	845
				100 in-lb MEP-1263, Tri-State w/FB*	856
2-1/2"	2			100 in-lb MEP-1272, 2 to 10 VDC, fail-safe	875
				100 in-lb MEP-1273, Tri-state, fail-safe,w/ FB*	886
				150 in-lb MEP 7002, 2 to 10 VDC	645
3"	3			150 in-lb. MEP-7003, Tri-state	656
				150in-lb MEP-7052, 2 to 10 VDC, fail-safe	675
				150 in-lb MEP-7053, Tri-state, fail-safe, w/FB*	686
				4"	4
150 in-lb. MEP-7003, Tri-state, w/FB*	656				
150in-lb MEP-7052, 2 to 10 VDC, fail-safe	675				
150 in-lb MEP-7053, Tri-stet, fail-safe, w/FB*	686				
5"	5	One (1) 300 in-lb actuator	1	300 In-lb MEP-7702, 2 to 10 VDC	945
6"	6			300 in-lb MEP-7703, Tri-state, w/FB*	956
8"	7			300 in-lb MEP-7752, 2 to 10 VDC, fail-safe	975
				300 in-lb MEP-7753 Tri-State, fail-safe, w/FB*	986
10"	8	Two (2) 300 in-lb actuator	2	300 In-lb MEP-7702, 2 to 10 VDC	945
12"	9			300 in-lb MEP-7703, Tri-state, w/FB*	956
				300 in-lb MEP-7752, 2 to 10 VDC, fail-safe	975
				300 in-lb MEP-7753, Tri-state, fail-saf, w/FB*	986

\* w/FB = with Feedback

Using the table (above) determine the "X", "Y" and "ZZZ" values that correspond to your application.

**Examples of valid model numbers:**

**VEP-55811886:** A 2" valve with one MEP- 1273 actuator.

**VEP-55892945:** A 12" valve with two MEP-7702 actuators.

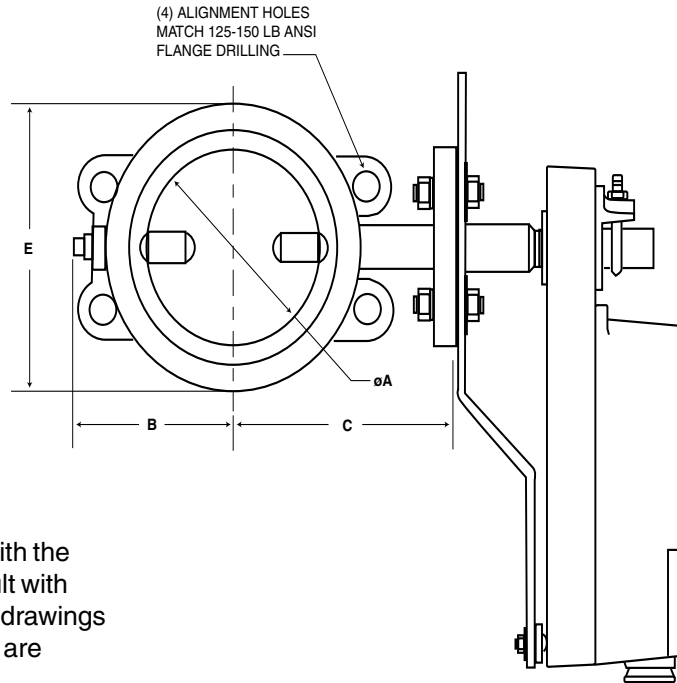
**Examples of invalid model numbers:**

**VEP-55872645:** A request for an 8" valve with two MEP-7002 (150 in-lb) actuators. The correct part number would be VEP-55871945. An 8" valve with one 300 in-lb MEP-7702 actuator.

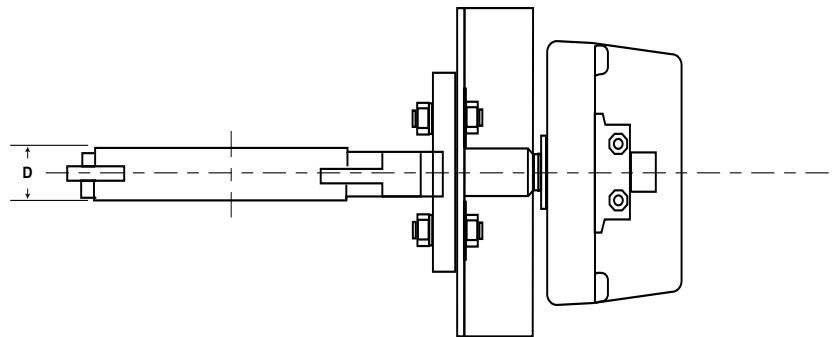
**VEP-55891975:** A request for a 12" valve with only one actuator. All 12" valves must have two actuators. The correct model number should be VEP-55892975.

# Details

Dimensions in inches (mm) and weight in pounds (kg)



**NOTE:** Valve dimensional drawings are shown with the MEP-7000 series ControlSet™ Actuators. Consult with KMC Controls' Technical Service for dimensional drawings if MEP-1200 or dual MEP-7000 Series Actuators are required.



Models	A	B	C	D	E	Weight
VEP-55811ZZZ	2" (50.8)	2-3/4" (69.85)	5-3/8" (135.53)	1-1/2" (38.1)	3-7/8" (98.43)	19 lbs. (8.62)
VEP-55821ZZZ	2-1/2" (63.5)	3" (76.2)	5-5/8" (142.88)	1-1/2" (38.1)	4-5/8" (117.48)	20 lbs. (9.07)
VEP-55831ZZZ	3" (76.2)	3-1/8" (79.38)	5-7/8" (149.23)	1-1/2" (38.1)	5-1/4" (133.35)	21 lbs. (9.52)
VEP-55841ZZZ	4" (101.6)	4-1/4" (107.96)	6-3/8" (161.93)	1-1/2" (38.1)	6-3/8" (161.93)	22 lbs. (9.97)
VEP-55851ZZZ	5" (127)	4-7/8" (123.83)	6-7/8" (174.63)	1-1/2" (38.1)	7-1/2" (190.5)	31 lbs. (14.06)
VEP-55861ZZZ	6" (152.4)	5-3/8" (136.53)	7-3/8" (187.33)	1-1/2" (38.1)	8-1/2" (215.9)	33 lbs. (14.97)
VEP-55871ZZZ	8" (203.2)	6-1/2" (165.1)	9-5/8" (244.48)	1-1/2" (38.1)	10-3/4" (273.05)	48 lbs. (21.77)
VEP-55882ZZZ	10" (254)	8" (203.2)	10-5/8" (269.88)	1-7/8" (47.63)	13" (330.2)	56 lbs. (25.40)
VEP-55892ZZZ	12" (304.8)	9-1/2" (241.3)	11-5/8" (295.28)	1-7/8" (47.63)	15-1/4" (387.35)	66 lbs. (29.94)

### Description and Application

The KMC VEP-559 series butterfly control valves (up to 12 inches in size) are two-way straight-through for high-capacity control in low-pressure hot water, chilled water, or steam applications. The rubber-lined butterfly valves require more actuator operating torque than a metal seat butterfly valve and should be used where reliable, bubble-tight shut-off is essential.

These valves are set for a full quarter-turn (90° rotation) for optimum flow characteristics. The valves come assembled in the normally closed position. The unique universal system of brackets and linkage allow for easy field changes of the action to normally open.

### Features

- ◆ Mounted with electronic control actuators
- ◆ Self-adjusting packing
- ◆ Stainless steel stems
- ◆ Unique brackets and linkage allow easy field changes

### Specifications

<b>Valve Size</b>	2" through 12"
<b>Body Type</b>	ANSI 125 and 150 wafer style flange mating; 2" to 6" have full lug body alignment holes; 8" to 12" have 4 alignment holes
<b>Flow Characteristics</b>	Linear
<b>Maximum Differential Pressure</b>	50 psi for water (15 psi for steam)
<b>Cv Rating @ 90%</b>	2"=120; 2-1/2"=194; 3"=430; 4"= 830; 5"=1500; 6"=1980; 8" =3870; 10"=6540; 12"=9800
<b>Pressure Drop (PSI) @ 90° Rotation</b>	2"=0.76; 2-1/2"=0.59; 3"=0.29; 4"=0.23; 5"= .017; 6"=0.21; 8–12"=0.15



MEP-7000 Series Actuator Shown  
(see Details section for other Actuators)

### Accessories/Repair Parts

See the Accessories section on the relevant actuator's data sheet.

<b>Material</b>	
Body	Epoxy Coated Cast Iron
Disc	Aluminum Bronze
Seat	EPDM
Shaft	416 Stainless Steel
Bushing	Bronze
<b>Temperature Limits</b>	
Media	25° to 280° F (–4° to 138° C)
Ambient	0° to 120° F (–18° to 49° C)
Shipping	–40° to 140° F (–40° to 60° C)

**NOTE:** Freeze protection required for fluid temperatures below 32° F (0° C).

**NOTE:** Consult with the factory when service conditions are higher than 50 psi and when optional valve materials or construction are required.

VEP-559XYZZZ

X		Y		ZZZ	
Size	Value for "X"	Actuator Qty. & Size	Value for "Y"	Actuator (Choose one)	Value for "ZZZ"
2"	1	One (1) 100 in-lb. or 150 in-lb. Actuator	1	100 in-lb MEP-1262, 2 to 10 VDC	845
				100 in-lb MEP-1263, Tri-State w/FB*	856
				100 in-lb MEP-1272, 2 to 10 VDC, fail-safe	875
				100 in-lb MEP-1273, Tri-State, fail-safe, w/FB*	886
				150 in-lb MEP 7002, 2 to 10 VDC	645
				150 in-lb. MEP-7003, Tri-State w/FB*	656
				150 in-lb MEP-7052, 2 to 10 VDC, fail-safe	675
150 in-lb MEP-7053, Tri-State, fail-safe, w/FB*	686				
2-1/2"	2	One (1) 150 in-lb. Actuator	1	150 in-lb MEP 7002, 2 to 10 VDC	645
				150 in-lb. MEP-7003, Tri-State, w/FB*	656
				150 in-lb MEP-7052, 2 to 10 VDC, fail-safe	675
				150 in-lb MEP-7053, Tri-State, fail-safe, w/FB*	686
3"	3	One (1) 300 in-lb. Actuator	1	300 in-lb MEP-7702, 2 to 10 VDC	945
4"	4			300 in-lb MEP-7703, Tri-State, w/FB*	956
				300 in-lb MEP-7752, 2 to 10 VDC, fail-safe	975
				300 in-lb MEP-7753, Tri-State, fail-safe, w/FB*	986
5"	5	Two (2) 300 in-lb. Actuators	2	300 in-lb MEP-7702, 2 to 10 VDC	945
6"	6			300 in-lb MEP-7703, Tri-State, w/FB*	956
				300 in-lb MEP-7752, 2 to 10 VDC, fail-safe	975
				300 in-lb MEP-7753, Tri-State, fail-safe, w/FB*	986
8"	7	One (1) 1600 in-lb. Actuator	1	1600 in-lb, 115 VAC, on/off, NEMA4 rating	575
10"	8			1600 in-lb, 115 VAC, 0 to 10 VDC, NEMA4 rating	577
12"	9	One (1) 3500 in-lb. Actuator	1	3500 in-lb, 115 VAC, on/off, NEMA4 rating	585
				3500 in-lb, 115 VAC, 0 to 10 VDC, NEMA4 rating	587

\*w/FB = with Feedback

Using the table (above) determine the "X", "Y", and "ZZZ" values that correspond to your application.

**Examples of valid model numbers:**

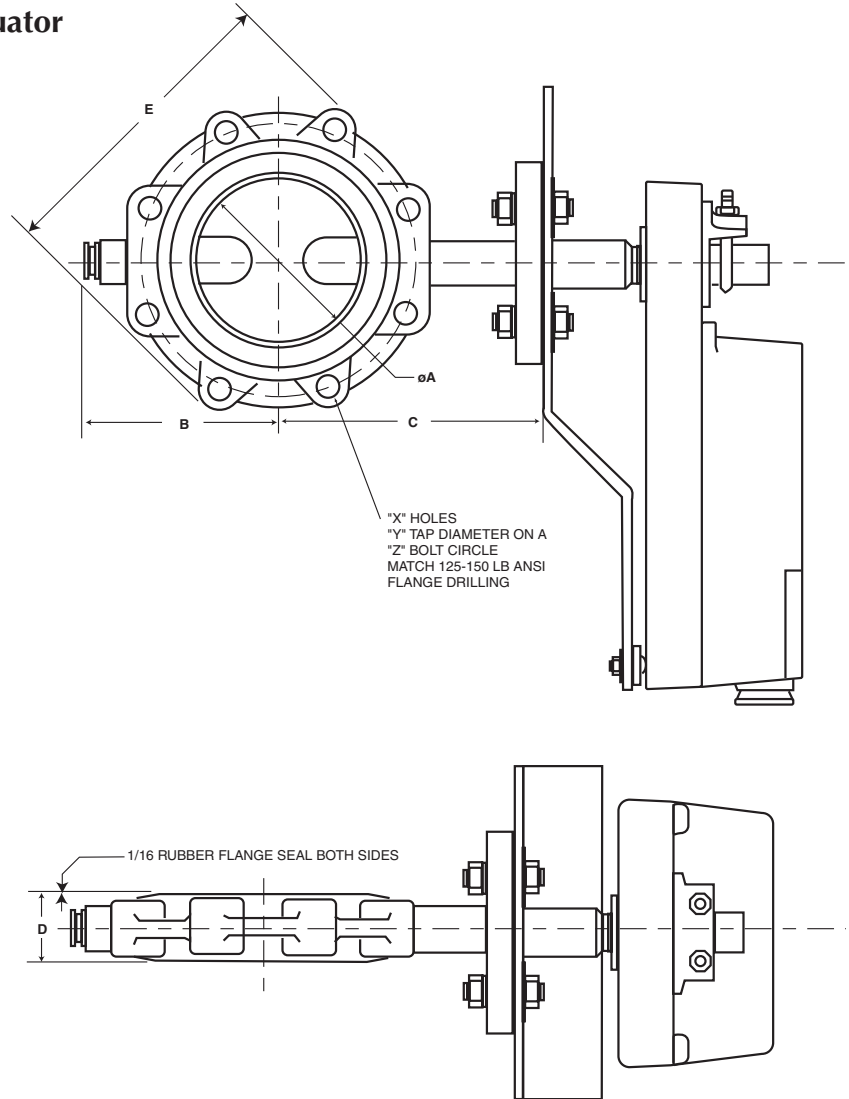
- **VEP-55911886:** A 2" valve with one MEP-1273 actuator.
- **VEP-55962945:** A 6" valve with two MEP-7702 actuators.

**Examples of invalid model numbers:**

- **VEP-55972945:** A request for an 8" valve with two MEP-7702 (300 in-lb.) actuators. The correct part number would be VEP-55971577. An 8" valve with one 1600 in-lb. 115 VAC actuator.
- **VEP55961975:** A request for a 6" valve with only one actuator. All 5" and 6" valves must have two actuators. The correct model number should be VEP-55962975.

## 2 to 6" with Single MEP-7000 Series Actuator

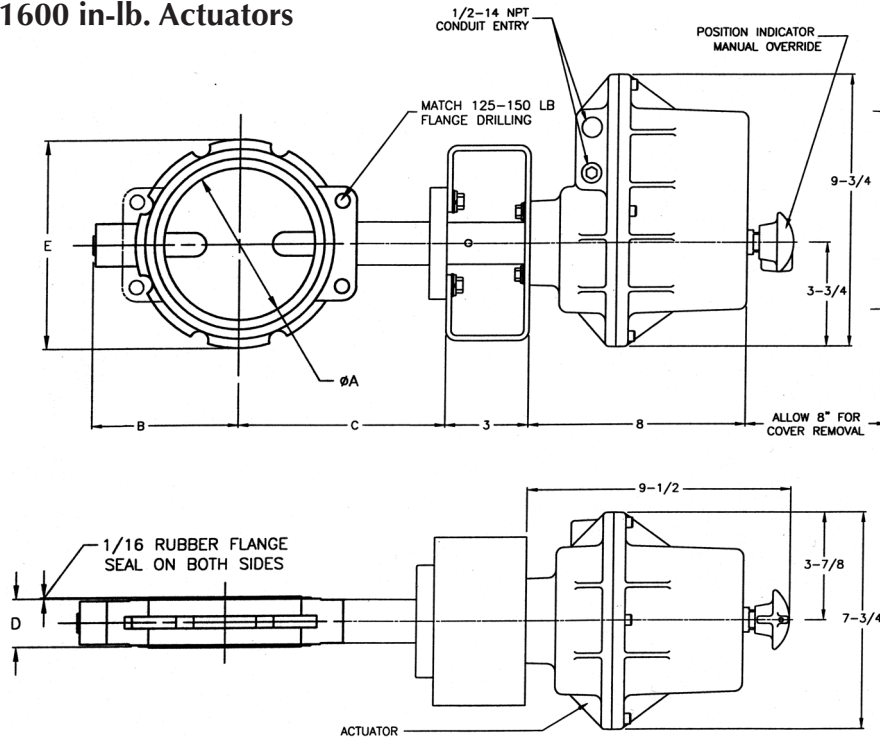
NOTE: Valve dimensional drawings on this page are shown with the MEP-7000 series ControlSet™ Actuators. See the next page for 1600/3500 in-lb. actuators. For dual MEP-7000 series or MEP-1200 series, consult with KMC Controls' Technical Support for dimensional drawings.



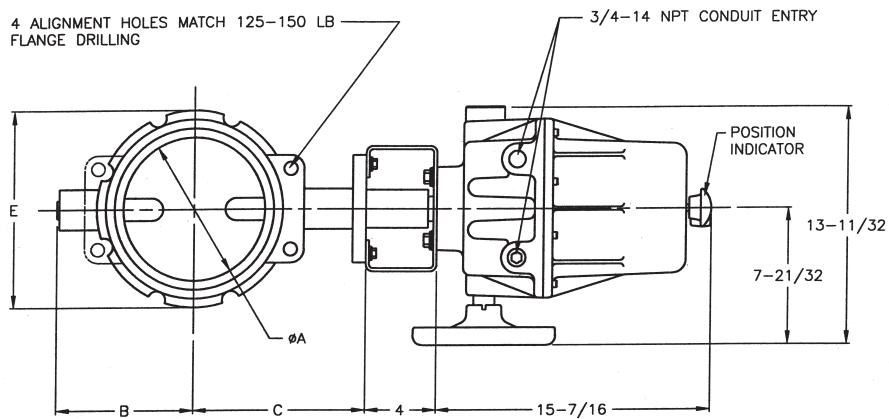
"X" Mounting Holes, "Y" Tap Diameter on a "Z" Bolt Circle			
Pipe Size	X	Y	Z
2	4	5/8-11 UNC	4.75
2-1/2	4	5/8-11 UNC	5.50
3	4	5/8-11 UNC	6.00
4	8	5/8-11 UNC	7.50
5	8	3/4-10 UNC	8.50
6	8	3/4-10 UNC	9.50

Models	A	B	C	D	E	Weight
VEP-55911ZZZ	2" (50.8)	2-7/8" (73.03)	5-3/4" (146.05)	1-5/8" (41.28)	5-15/16" (150.81)	19 lbs. (8.62)
VEP-55921ZZZ	2-1/2" (63.5)	3-1/8" (79.38)	6-1/4" (158.75)	1-3/4" (44.45)	6-11/16" (169.86)	20 lbs. (9.07)
VEP-55931ZZZ	3" (76.2)	3-1/2" (88.9)	6-1/2" (165.1)	1-3/4" (44.45)	7-1/4" (184.15)	21 lbs. (9.52)
VEP-55941ZZZ	4" (101.6)	4-1/2" (114.3)	7-1/4" (184.15)	2" (50.8)	8-3/4" (222.25)	22 lbs. (9.97)
VEP-55952ZZZ	5" (127)	5-5/8" (142.88)	7-3/4" (196.85)	2-1/8" (53.98)	9-7/8" (250.83)	31 lbs. (14.06)
VEP-55962ZZZ	6" (152.4)	6-1/2" (165.1)	8-3/8" (212.73)	2-1/8" (53.98)	11" (279.4)	33 lbs (14.97)
VEP-55971ZZZ	8" (203.2)	7-5/8" (193.68)	9-5/8" (244.48)	2-3/8" (60.33)	12-3/4" (323.85)	48 lbs. (21.77)
VEP-55981ZZZ	10" (254)	9-1/8" (231.78)	11" (279.4)	2-3/4" (69.85)	13-3/8" (339.73)	56 lbs. (25.40)
VEP-55991ZZZ	12" (304.8)	10-3/8" (263.53)	12-1/2" (317.5)	3" (76.2)	16-1/8" (409.58)	66 lbs. (29.94)

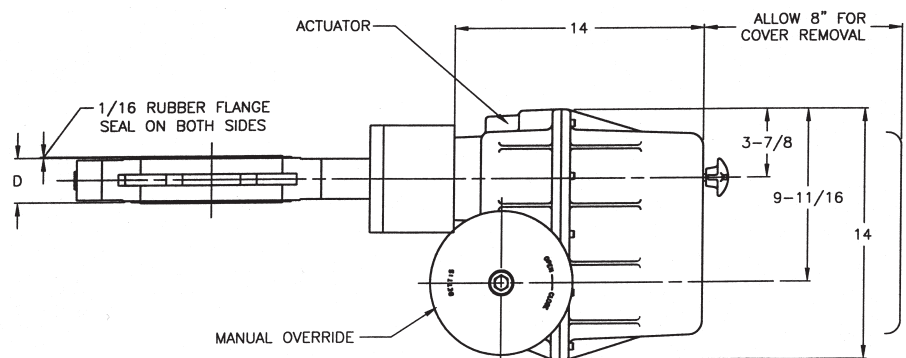
## 8 and 10" with 1600 in-lb. Actuators



## 12" with 3500 in-lb. Actuator



(8 to 12") "X" Mounting Holes, "Y" Hole Diameter on a "Z" Bolt Circle			
Pipe Size	X	Y	Z
8	8	3/4	11.75
10	12	7/8	14.25
12	12	7/8	17



(8 to 12") Valve Body Dimensions				
A	B	C	D	E
8	7-5/8	9-5/8	2-3/8	11
10	9-1/8	11	2-3/4	13-3/8
12	10-3/8	12-1/2	3	16-1/8

**KMC Controls, Inc.**  
 19476 Industrial Drive, New Paris, IN 46553  
 574.831.5250  
[www.kmcccontrols.com](http://www.kmcccontrols.com); [info@kmcccontrols.com](mailto:info@kmcccontrols.com)



## Description

The KMC VEP-568 Series butterfly control valves are 3-way straight through valves for high capacity control of low-pressure hot water, chilled water, or steam. The metal-seated butterfly valve requires less actuator operating torque and should only be used where 1 to 3 percent leakage in the closed position is acceptable. These valves are ideally suited for 3-way mixing or diverting applications.

These valves are set for a full quarter-turn (90° rotation) for optimum flow characteristics. The unique universal system of brackets and linkage allow for easy field changes.

## Features

- ◆ Utilizes control actuators
- ◆ Self-adjusting packing
- ◆ Stainless steel stems
- ◆ Field changeable brackets and linkages

## Accessories

The following accessories are available:

CME-7001	Single end switch
CME-7002	Dual end switch

**NOTE:** Consult with the factory when service conditions are higher than 50 psi and when optional valve materials or construction are required.

## Specifications

<b>Valve Size</b>	2" through 12"
<b>Body Type</b>	ANSI 125 & 150 wafer style flange mating. All models have 4 alignment holes.
<b>Body Rating</b>	125# Cast Iron Tee
<b>Flow Characteristics</b>	Linear
<b>Cv Rating @ 90%</b>	2"=90; 2-1/2" =194; 3"=370; 4"= 747; 5"=1272; 6" =1999; 8"=3853; 10"=6361; 12"=9164



### Maximum Differential Pressure

50 psi for water  
(35 psi for steam)

### Pressure Drop (PSI) @ 90° Rotation

2"=1.4; 2-1/2"=0.6; 3"=0.4;  
4"-10"=0.3; 12"=0.2

### Material

Body	Cast Iron
Disc	Cast Iron
Seat	Swing through
Shaft	416 Stainless Steel
Bushing	Graphite Bronze
Packing	Graphite Teflon
Packing Nut	Brass to 12"=0.15

### Temperature Limits

Media	25° to 280° F (-4° to 138° C)
Ambient	0° to 120° F (-18° to 49° C)
Shipping	-40° to 140° F (-40° to 60° C)

Freeze protection required for fluid temperatures below 32° F (0°C).

**VEP-568XYZZZ 3-Way Metal Seat**

X		Y		ZZZ	
Size	Value for "X"	Actuator Qty. & Size	Value for "Y"	Actuator (Choose one)	Value for "ZZZ"
2"	1	One (1) 100 in-lb. or 150 in-lb. Actuator	1	100 in-lb MEP-1262, 2 to 10 VDC	845
				100 in-lb MEP-1263, Tri-State, w/FB*	856
				100 in-lb MEP-1272, 2 to 10 VDC, fail-safe	875
				100 in-lb MEP-1273, Tri-State, fail-safe, w/FB*	886
				150 in-lb MEP 7002, 2 to 10 VDC	645
				150 in-lb. MEP-7003, Tri-State, w/FB*	656
				150in-lb MEP-7052, 2 to 10 VDC, fail-safe	675
				150 in-lb MEP-7053, Tri-State, fail-safe, w/FB*	686
2-1/2"	2	One (1) 150 in-lb. Actuator	1	150 in-lb MEP 7002, 2 to 10 VDC	645
				150 in-lb. MEP-7003, Tri-State, w/FB*	656
3"	3"			150in-lb MEP-7052, 2 to 10 VDC, fail-safe	675
				150 in-lb MEP-7053, Tri-State, fail-safe, w/FB*	686
4"	4	One (1) 300 in-lb. Actuator	1	300 In-lb MEP-7702, 2 to 10 VDC	945
5"	5			300 in-lb MEP-7703, Tri-State, w/FB*	956
6"	6			300 in-lb MEP-7752, 2 to 10 VDC, fail-safe	975
8"	7			300 in-lb MEP-7753, Tri-State, fail-safe, w/FB*	986
10"	8	Two (2) 300 in-lb. Actuators	2	300 In-lb MEP-7702, 2 to 10 VDC	945
				300 in-lb MEP-7703, Tri-State, w/FB*	956
12"	9			300 in-lb MEP-7752, 2 to 10 VDC, fail-safe	975
				300 in-lb MEP-7753, Tri-State, fail-safe, w/FB*	986

\* w/FB = with Feedback

Using the table (above) determine the "X", "Y" and "ZZZ" values that correspond to your application.

**Examples of valid model numbers:**

**VEP-56811886:** A 2" valve with one MEP-1273 actuator.

**VEP-56892945:** A 12" valve with two MEP-7712 actuators.

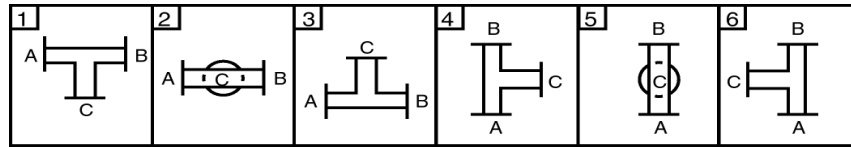
**Examples of invalid model numbers:**

**VEP-56872645:** A request for an 8" valve with two MEP-7012 (150 in-lb) actuators. The correct part number would be VEP-56871945. An 8" valve with one 300 in-lb MEP-7702 actuator.

**VEP-56891975:** A request for a 12" valve with only one actuator. All 12" (and 10") valves must have two actuators. The correct model number should be VEP-56892975.

# Models Continued

## Available Tee Configurations



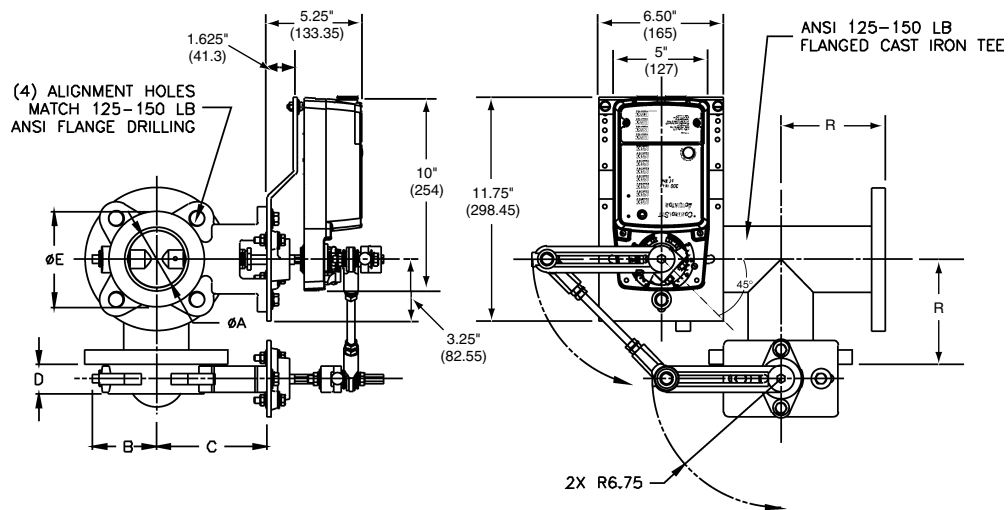
To select a "T" Configuration:

- A. Configurations are based on looking down on "T" and top of shafts.
- B. Power valve is designated by first letter followed by slave, *i.e.* 1BC.
- C. Bracket for power valve is positioned at 12 o'clock.

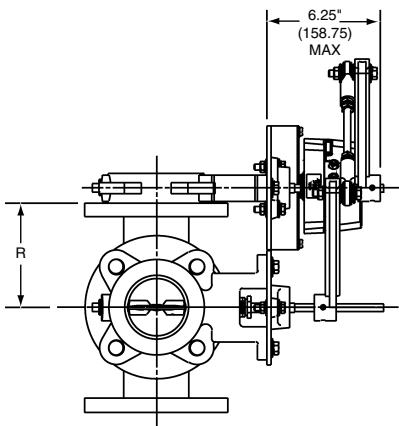
**NOTE: When ordering specify Model Number AND "T" Configuration.**

## Details

Dimensions in inches (mm) and weight in pounds (kg)



**NOTE:** Valve dimensional drawings are shown with the MEP-7000 series ControlSet™ Actuators. Consult with KMC Controls' Technical Services for dimensional drawings if MEP-1200, or dual MEP-7000 Series Actuators are required.



MODELS	A	B	C	D	E	F
VEP-56811ZZZ	2" (50.8)	2-3/4" (69.85)	5-3/8" (136.53)	1-1/2" (38.1)	3-78" (98.43)	4-1/2" (114.3)
VEP-56821ZZZ	2-1/2" (63.5)	3" (76.2)	5-3/8" (136.53)	1-1/2" (38.1)	4-5/8" (117.48)	5" (127)
VEP-56831ZZZ	3" (76.2)	3-1/8" (79.38)	5-7/8" (149.23)	1-1/2" (38.1)	5-1/4" (133.35)	5-1/2" (139.7)
VEP-56841ZZZ	4" (101.6)	4-1/4" (107.95)	6-3/8" (161.93)	1-1/2" (38.1)	6-3/8" (161.93)	6-1/2" (165.1)
VEP-56851ZZZ	5" (127)	4-7/8" (123.83)	6-7/8" (174.63)	1-1/2" (38.1)	7-1/2" (190.5)	7-1/2" (190.5)
VEP-56861ZZZ	6" (152.4)	5-3/8" (136.53)	7-3/8" (187.33)	1-1/2" (38.1)	8-1/2" (215.9)	8" (203.2)
VEP-56871ZZZ	8" (203.2)	6-1/2" (165.1)	9-5/8" (244.48)	1-7/8" (47.63)	10-3/4" (273.05)	9" (228.6)
VEP-56882ZZZ	10" (254)	8" (203.2)	10-5/8" (269.88)	1-7/8" (47.63)	13" (330.2)	11" (279.4)
VEP-56892ZZZ	12" (304.8)	9-1/2" (241.3)	11-5/8" (295.28)	1-7/8" (47.63)	15-1/4" (387.35)	12" (304.8)

## Description

The KMC VEP-569 Series butterfly control valves are 3-way straight through valves for high capacity control of low-pressure hot water, chilled water, or steam applications. The rubber-lined butterfly valves require more actuator operating torque than a metal seat butterfly valve and are to be used when reliable, bubble-tight, shut-off is essential. These valves are ideally suited for 3-way mixing or diverting applications.

These valves are set for a full quarter-turn (90° rotation) for optimum flow characteristics. The unique universal system of brackets and linkage allow for easy field changes.

## Features

- ◆ Reliable, bubble-tight shut-off
- ◆ Ideally suited to 3-way or diverting applications
- ◆ Stainless steel stems
- ◆ Field changeable brackets and linkages

## Accessories

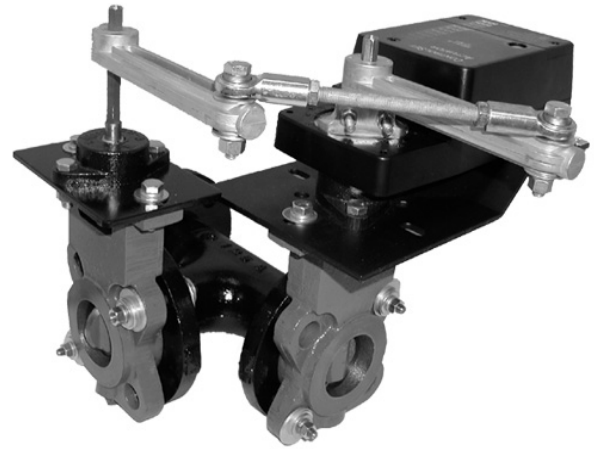
The following accessories are available:

- CME-7001: Single end switch
- CME-7002: Dual end switch

**NOTE:** Consult with the factory when service conditions are higher than 50 psi and when optional valve materials or construction are required.

## Specifications

<b>Valve Size</b>	2" through 12"
<b>Body Type</b>	ANSI 125 & 150 wafer style flange mating. 2"-6" have full lug body alignment holes. 8"-12" have 4 alignment holes.
<b>Body Rating</b>	125# Cast Iron Tee
<b>Flow Characteristics</b>	Linear
<b>Maximum Differential Pressure</b>	50 psi for water (35 psi for steam)



MEP-7000 SERIES ACTUATOR SHOWN

## Cv Rating @ 90%

2"=120; 2-1/2"=194; 3"=430;  
4"= 830; 5"=1500; 6"=1980;  
8" =3870; 10"=6540;  
12"=9800

## Maximum Differential Pressure

50 psi for water  
(35 psi for steam)

## Pressure Drop (PSI) @ 90° Rotation

2"=0.76; 2-1/2"=0.59; 3"=0.29;  
4"=0.23; 5"=0.17; 6"=0.21;  
8"-12"=0.15

## Material

Body	Epoxy coated Cast Iron
Disc	Aluminum Bronze
Seat	EPDM
Shaft	416 Stainless Steel
Bushing	Bronze

## Temperature Limits

Media	25° to 250°F (-4° to 121°C)
Ambient	0° to 120° F (-18° to 49° C)
Shipping	-40° to 140° F (-40° to 60° C)

Freeze protection required for fluid temperatures below 32°F (0°C).

VEP-569XYZZZ 3-Way Butterfly Valves

X		Y		ZZZ	
Size	Value for "X"	Actuator Qty. & Size	Value for "Y"	Actuator (Choose one)	Value for "ZZZ"
2"	1	One (1) 150 in-lb. Actuator	1	150 in-lb MEP 7002, 2 to 10 VDC	645
				150 in-lb. MEP-7003, Tri-State, w/FB*	656
2-1/2"	2			150in-lb MEP-7052, 2 to 10 VDC, fail-safe	675
				150 in-lb MEP-7053, Tri-State, fail-safe, w/FB*	686
3"	3	One (1) 300 in-lb. Actuator	1	300 In-lb MEP-7702, 2 to 10 VDC	945
				300 in-lb MEP-7703, Tri-State, w/FB*	956
4"	4			300 in-lb MEP-7752, 2 to 10 VDC, fail-safe	975
				300 in-lb MEP-7753, Tri-State, fail-safe, w/FB*	986
5"	5	Two (2) 300 in-lb. Actuators	2	300 In-lb MEP-7702, 2 to 10 VDC	945
				300 in-lb MEP-7703, Tri-State, w/FB*	956
6"	6			300 in-lb MEP-7752, 2 to 10 VDC, fail-safe	975
				300 in-lb MEP-7753, Tri-State, fail-safe, w/FB*	986
8"	7	One (1) 3500 in-lb. Actuator	1	3500 In-lb, 115 VAC, on/off, NEMA4 rating	585
10"	8			3500 In-lb, 115 VAC, 0-10 VDC, NEMA4 rating	587
12"	9	One (1) 6000 in-lb. Actuator	1	6000 In-lb, 115 VAC, on/off, NEMA4 rating	595
				6000 In-lb, 115 VAC, 0-10 VDC, NEMA4 rating	597

\* w/FB = with Feedback

Using the table (above) determine the "X", "Y" and "ZZZ" values that correspond to your application.

**Examples of valid model numbers:**

**VEP-56911656:** A 2" valve with one MEP-7003 actuator.

**VEP-56962945:** A 6" valve with two MEP-7702 actuators.

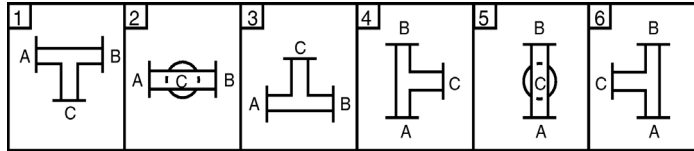
**Examples of invalid model numbers:**

**VEP-56972945:** A request for an 8" valve with two MEP-7702 actuators. The correct part number would be VEP-56971585. An 8" valve with one 3500 in-lb 115 VAC actuator.

**VEP-56961975:** A request for a 6" valve with only one actuator. All 5" and 6" valves must have two actuators. The correct model number should be VEP-56962975.

# Models Continued

## Available "T" Configurations

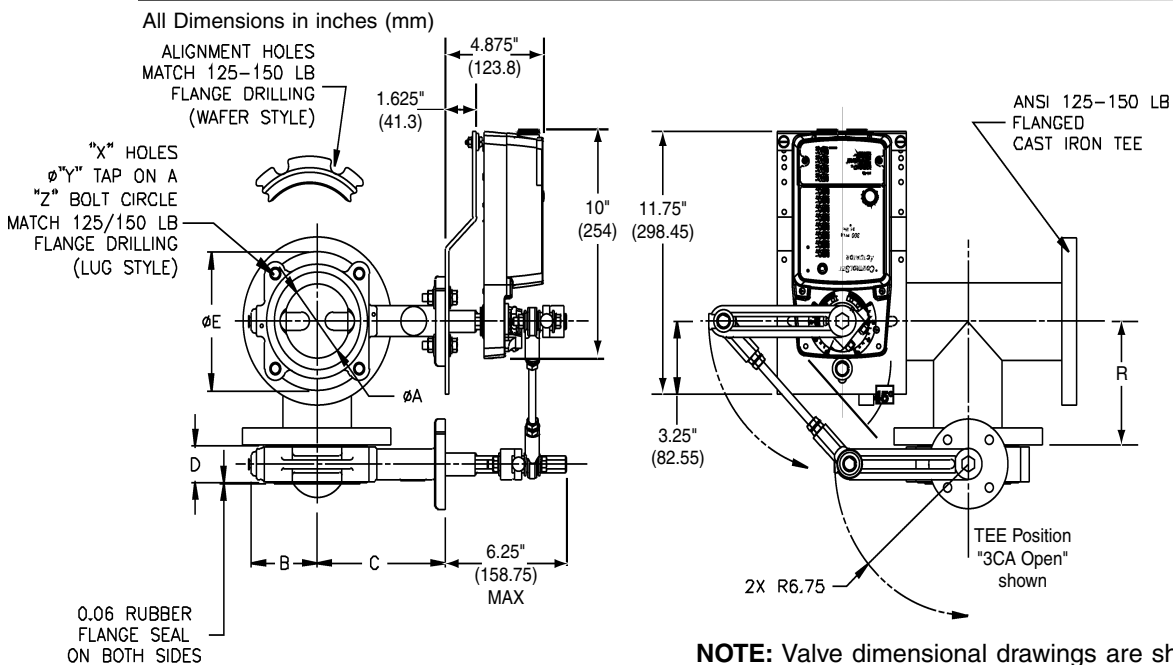


To Select a "T" Configuration:

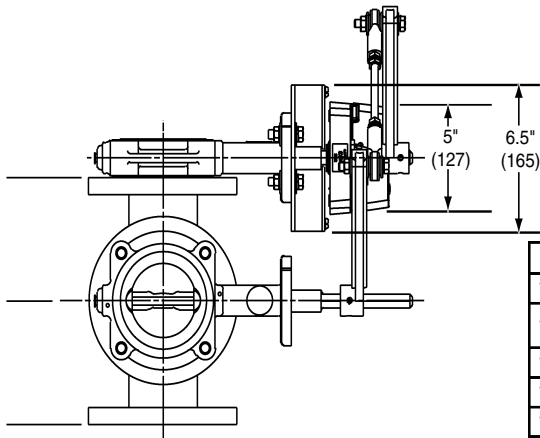
- A. Configurations are based on looking down on "T" and top of shafts.
- B. Power valve is designated by first letter followed by slave, *i.e.* 1BC.
- C. Bracket for power valve is positioned at 12 o'clock.

**NOTE: When ordering specify Model Number AND "T" Configuration.**

## Details



**NOTE:** Valve dimensional drawings are shown with the MEP-7000 series ControlSet™ Actuators. Consult with KMC Controls' Technical Services for dimensional drawings if dual MEP-7000 Series, or 3500 or 6000 IN-LB industrial actuators are required.



MODELS	A	B	C	D	E	F
VEP-56911ZZZ	2" (50.8)	2-7/8" (73.03)	5-3/4" (146.05)	1-5/8" (41.28)	5-15/16 (150.81)	4-1/2" (114.3)
VEP-56921ZZZ	2-1/2" (63.5)	3-1/8" (79.38)	6-1/4" (158.75)	1-3/4" (44.45)	6-1/16 (169.86)	5" (127)
VEP-56931ZZZ	3" (76.2)	3-1/2" (88.9)	6-1/2" (165.1)	1-3/4" (44.45)	7-1/4" (184.15)	5-1/2" (139.7)
VEP-56941ZZZ	4" (101.6)	4-1/2" (114.3)	7-1/4" (184.15)	2" (50.8)	8-3/4" (222.25)	6-1/2" (165.1)
VEP-56952ZZZ	5" (127)	5-5/8" (142.88)	7-3/4" (196.85)	2-1/8" (53.98)	9-7/8" (250.83)	7-1/2" (190.5)
VEP-56962ZZZ	6" (152.4)	6-1/2" (165.1)	8-3/8" (212.73)	2-1/8" (53.98)	11" (279.4)	8" (203.2)
VEP-56971ZZZ	8" (203.2)	7-5/8" (193.68)	9-5/8" (244.48)	2-3/8" (60.33)	12-3/4" (323.85)	9" (228.6)
VEP-56981ZZZ	10" (254)	9-1/8" (231.78)	11" (279.4)	2-3/4" (69.85)	13-3/8" (339.73)	11" (279.4)
VEP-56991ZZZ	12" (304.8)	10-3/8" (263.53)	12-1/2" (317.5)	3" (76.82)	16-1/8" (409.58)	12" (304.8)